

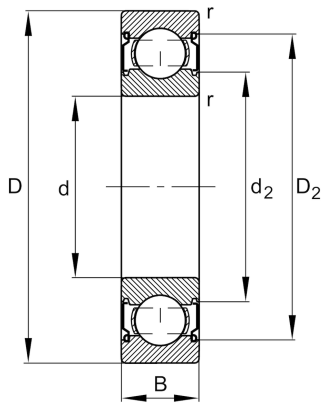
**FAG****6311-C-2Z**

Deep groove ball bearing

Schaeffler ID:  
0872497580000

Deep groove ball bearing 63..-C-2Z, single row, Generation C, shields, steel sheet metal cage

## Technical information

**Dimensions**

$r_{\min}$	2 mm	Minimum chamfer dimension
$D_2$	105,3 mm	Caliber diameter outer ring
$d_2$	72,5 mm	Caliber diameter inner ring
	1,348 kg	Weight

**Main Dimensions & Performance Data**

$d$	55 mm	Bore diameter
$D$	120 mm	Outside diameter
$B$	29 mm	Width
$C_r$	83.000 N	Basic dynamic load rating, radial
$C_{0r}$	47.500 N	Basic static load rating, radial
$C_{ur}$	3.300 N	Fatigue load limit, radial
$n_G$	7.200 1/min	Limiting speed
$n_{gr}$	7.800 1/min	Reference speed

**Mounting dimensions**

$d_{a\min}$	66 mm	Minimum diameter shaft shoulder
$D_{a\max}$	109 mm	Maximum diameter of housing shoulder
$r_{a\max}$	2 mm	Maximum fillet radius

**Calculation factors**

$f_0$	12,9	Calculation factor
-------	------	--------------------

**Temperature range**

$T_{\min}$	-20 °C	Operating temperature min.
$T_{\max}$	120 °C	Operating temperature max.

