



FAG

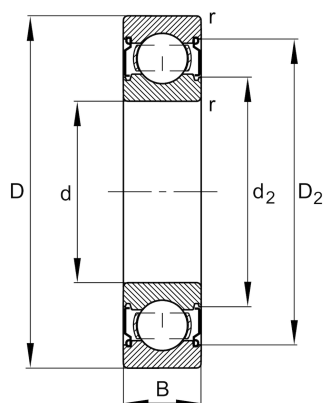
6310-C-2Z

Deep groove ball bearing

Schaeffler ID:
0850567150000

Deep groove ball bearing 63..-C-2Z, single row, Generation C, shields, steel sheet metal cage

Technical information

**Main Dimensions & Performance Data**

d	50 mm	Bore diameter
D	110 mm	Outside diameter
B	27 mm	Width
C_r	68.000 N	Basic dynamic load rating, radial
C_{0r}	38.000 N	Basic static load rating, radial
C_{ur}	2.650 N	Fatigue load limit, radial
n_G	8.000 1/min	Limiting speed
n_{gr}	8.400 1/min	Reference speed
	1,077 kg	Weight

Dimensions

r_{min}	2 mm	Minimum chamfer dimension
D_2	95,2 mm	Caliber diameter outer ring
d_2	66,7 mm	Caliber diameter inner ring

Mounting dimensions

d_{amin}	61 mm	Minimum diameter shaft shoulder
D_{amax}	99 mm	Maximum diameter of housing shoulder
r_{amax}	2 mm	Maximum fillet radius

Calculation factors

f_0	13,1	Calculation factor
-------	------	--------------------

Temperature range

T_{min}	-20 °C	Operating temperature min.
T_{max}	120 °C	Operating temperature max.

