

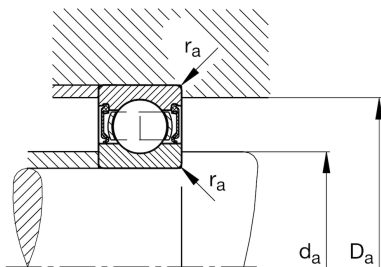
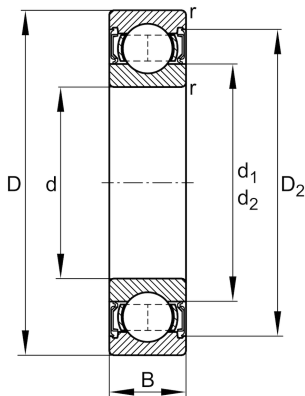
FAG

6310-2RSR

Deep groove ball bearing

Schaeffler ID:
0167236270000Deep groove ball bearing 63...-2RSR,
single row, seals, steel sheet metal cage

Technical information

**Dimensions**

r_{\min}	2 mm	Minimum chamfer dimension
D_2	95,1 mm	Caliber diameter outer ring
d_1	68 mm	Shoulder diameter inner ring
	1,083 kg	Weight

Main Dimensions & Performance Data

d	50 mm	Bore diameter
D	110 mm	Outside diameter
B	27 mm	Width
C_r	68.000 N	Basic dynamic load rating, radial
C_{0r}	38.500 N	Basic static load rating, radial
C_{ur}	2.650 N	Fatigue load limit, radial
n_G	3.950 1/min	Limiting speed

Mounting dimensions

$d_{a\min}$	61 mm	Minimum diameter shaft shoulder
$D_{a\max}$	99 mm	Maximum diameter of housing shoulder
$r_{a\max}$	2 mm	Maximum fillet radius

Calculation factors

f_0	13,3	Calculation factor
-------	------	--------------------

Temperature range

T_{\min}	-20 °C	Operating temperature min.
T_{\max}	100 °C	Operating temperature max.