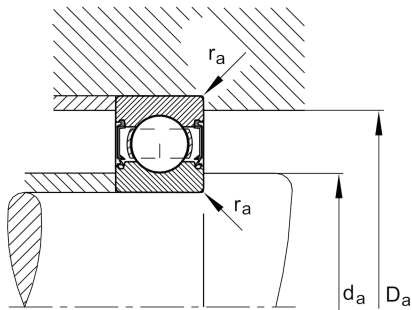
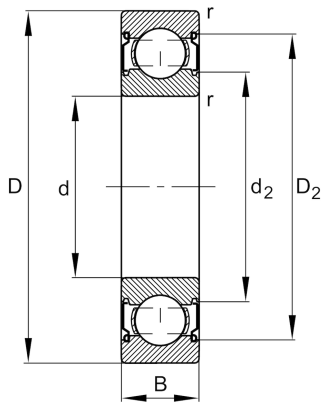
**FAG****6306-C-2Z**

Deep groove ball bearing

Schaeffler ID:
0639423560000

Deep groove ball bearing 63..-C-2Z, single row, Generation C, shields, steel sheet metal cage

Technical information

**Temperature range**

T_{\min}	-20 °C	Operating temperature min.
T_{\max}	120 °C	Operating temperature max.
	0,345 kg	Weight

Main Dimensions & Performance Data

d	30 mm	Bore diameter
D	72 mm	Outside diameter
B	19 mm	Width
C_r	32.000 N	Basic dynamic load rating, radial
C_{0r}	16.200 N	Basic static load rating, radial
C_{ur}	1.120 N	Fatigue load limit, radial
n_G	12.800 1/min	Limiting speed
n_{gr}	11.500 1/min	Reference speed

Dimensions

r_{\min}	1,1 mm	Minimum chamfer dimension
D_2	63,4 mm	Caliber diameter outer ring
d_2	41,3 mm	Caliber diameter inner ring

Mounting dimensions

$d_{a \min}$	37 mm	Minimum diameter shaft shoulder
$D_{a \max}$	65 mm	Maximum diameter of housing shoulder
$r_{a \max}$	1,1 mm	Maximum fillet radius

Calculation factors

f_0	13	Calculation factor
-------	----	--------------------