

**FAG**★ **6210-C-2Z**

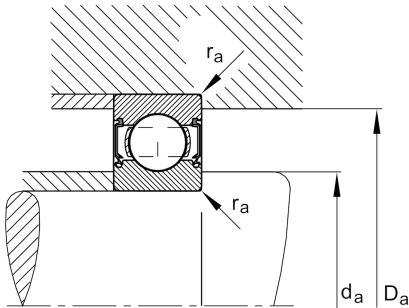
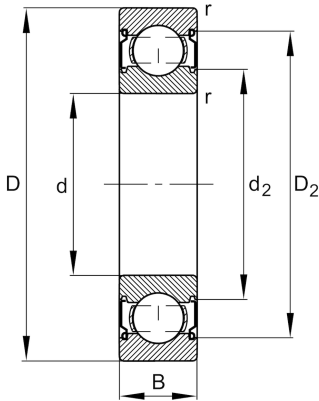
Deep groove ball bearing

Schaeffler ID:  
0804598700000

Deep groove ball bearing 62...-C-2Z, single row, Generation C, shields, steel sheet metal cage

★ Preferred product

## Technical information



## Temperature range

$T_{\min}$	-20 °C	Operating temperature min.
$T_{\max}$	120 °C	Operating temperature max.
	0,45 kg	Weight

## Main Dimensions &amp; Performance Data

$d$	50 mm	Bore diameter
$D$	90 mm	Outside diameter
$B$	20 mm	Width
$C_r$	38.000 N	Basic dynamic load rating, radial
$C_{0r}$	23.200 N	Basic static load rating, radial
$C_{ur}$	1.580 N	Fatigue load limit, radial
$n_G$	9.900 1/min	Limiting speed
$n_{gr}$	9.200 1/min	Reference speed

## Dimensions

$r_{\min}$	1,1 mm	Minimum chamfer dimension
$D_2$	81,8 mm	Caliber diameter outer ring
$d_2$	59,1 mm	Caliber diameter inner ring

## Mounting dimensions

$d_{a \min}$	57 mm	Minimum diameter shaft shoulder
$D_{a \max}$	83 mm	Maximum diameter of housing shoulder
$r_{a \max}$	1,1 mm	Maximum fillet radius

## Calculation factors

$f_0$	14,4	Calculation factor
-------	------	--------------------