

**FAG**★ **6208-C-2Z**

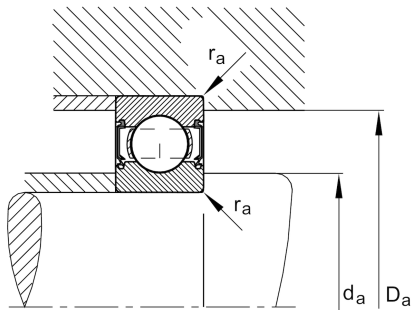
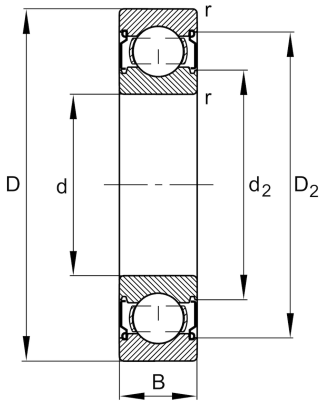
Deep groove ball bearing

Schaeffler ID:
0790715200000

Deep groove ball bearing 62...-C-2Z, single row, Generation C, shields, steel sheet metal cage

★ Preferred product

Technical information

**Temperature range**

T_{\min}	-20 °C	Operating temperature min.
T_{\max}	120 °C	Operating temperature max.
	0,353 kg	Weight

Main Dimensions & Performance Data

d	40 mm	Bore diameter
D	80 mm	Outside diameter
B	18 mm	Width
C_r	31.500 N	Basic dynamic load rating, radial
C_{0r}	17.800 N	Basic static load rating, radial
C_{ur}	1.230 N	Fatigue load limit, radial
n_G	11.600 1/min	Limiting speed
n_{gr}	10.500 1/min	Reference speed

Dimensions

r_{\min}	1,1 mm	Minimum chamfer dimension
D_2	70,7 mm	Caliber diameter outer ring
d_2	49,2 mm	Caliber diameter inner ring

Mounting dimensions

$d_{a \min}$	47 mm	Minimum diameter shaft shoulder
$D_{a \max}$	73 mm	Maximum diameter of housing shoulder
$r_{a \max}$	1,1 mm	Maximum fillet radius

Calculation factors

f_0	14	Calculation factor
-------	----	--------------------