



FAG

## ★ 6208-C-2Z

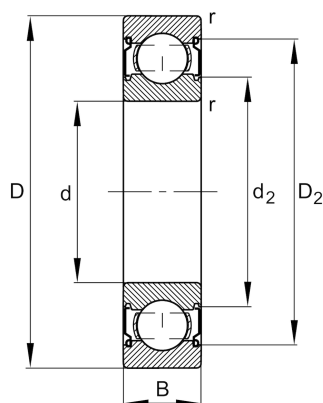
Deep groove ball bearing

Schaeffler ID:  
0790715200000

Deep groove ball bearing 62...-C-2Z, single row, Generation C, shields, steel sheet metal cage

★ Preferred product

## Technical information



## Main Dimensions &amp; Performance Data

d	40 mm	Bore diameter
D	80 mm	Outside diameter
B	18 mm	Width
$C_r$	31.500 N	Basic dynamic load rating, radial
$C_{0r}$	17.800 N	Basic static load rating, radial
$C_{ur}$	1.230 N	Fatigue load limit, radial
$n_G$	11.600 1/min	Limiting speed
$n_{gr}$	10.500 1/min	Reference speed
	0,353 kg	Weight

## Dimensions

$r_{min}$	1,1 mm	Minimum chamfer dimension
$D_2$	70,7 mm	Caliber diameter outer ring
$d_2$	49,2 mm	Caliber diameter inner ring

## Mounting dimensions

$d_{amin}$	47 mm	Minimum diameter shaft shoulder
$D_{amax}$	73 mm	Maximum diameter of housing shoulder
$r_{amax}$	1,1 mm	Maximum fillet radius

## Calculation factors

$f_0$	14	Calculation factor
-------	----	--------------------

## Temperature range

$T_{min}$	-20 °C	Operating temperature min.
$T_{max}$	120 °C	Operating temperature max.

