

FAG

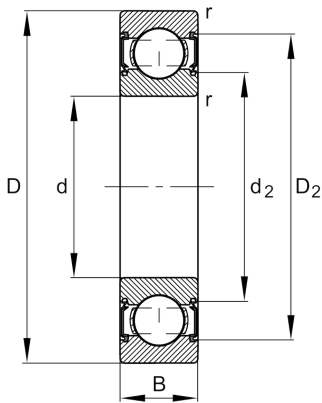
★ 6208-C-2HRS

Deep groove ball bearing

Schaeffler ID:
0790712280000Deep groove ball bearing 62...-C-2HRS,
single row, Generation C, seals, steel
sheet metal cage

★ Preferred product

Technical information



Main Dimensions & Performance Data

d	40 mm	Bore diameter
D	80 mm	Outside diameter
B	18 mm	Width
C_r	31.500 N	Basic dynamic load rating, radial
C_{0r}	17.800 N	Basic static load rating, radial
C_{ur}	1.230 N	Fatigue load limit, radial
n_G	8.000 1/min	Limiting speed
	0,355 kg	Weight

Dimensions

r_{min}	1,1 mm	Minimum chamfer dimension
D_2	70,7 mm	Caliber diameter outer ring
d_2	49,2 mm	Caliber diameter inner ring

Mounting dimensions

d_{amin}	47 mm	Minimum diameter shaft shoulder
D_{amax}	73 mm	Maximum diameter of housing shoulder
r_{amax}	1,1 mm	Maximum fillet radius

Temperature range

f_0	14	Calculation factor
T_{min}	-20 °C	Operating temperature min.
T_{max}	110 °C	Operating temperature max.

