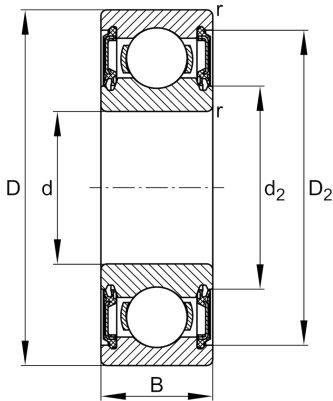
**FAG****6205-H-2RSR**

Deep groove ball bearing

Schaeffler ID:
0938604390000Deep groove ball bearing 62...-H-2RSR,
single row, H-Series, seals, steel sheet
metal cage

Technical information

**Temperature range**

T_{min}	-20 °C	Operating temperature min.
T_{max}	110 °C	Operating temperature max.
	0,127 kg	Weight

Main Dimensions & Performance Data

d	25 mm	Bore diameter
D	52 mm	Outside diameter
B	15 mm	Width
C_r	14.020 N	Basic dynamic load rating, radial
C_{0r}	7.880 N	Basic static load rating, radial
C_{ur}	470 N	Fatigue load limit, radial
n_G	7.900 1/min	Limiting speed

Dimensions

r_{min}	1 mm	Minimum chamfer dimension
D_2	46,4 mm	Caliber diameter outer ring
d_2	32,2 mm	Caliber diameter inner ring

Mounting dimensions

$d_{a min}$	30,6 mm	Minimum diameter shaft shoulder
$D_{a max}$	46,4 mm	Maximum diameter of housing shoulder
$r_{a max}$	1 mm	Maximum fillet radius

Calculation factors

f_0	13,9	Calculation factor
-------	------	--------------------

