

FAG

## ★ 6004-C-2Z

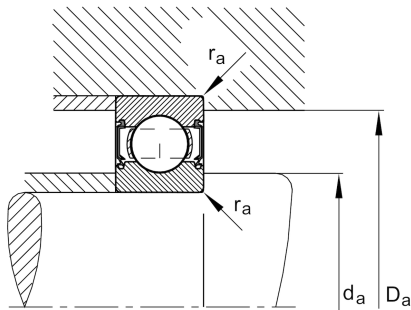
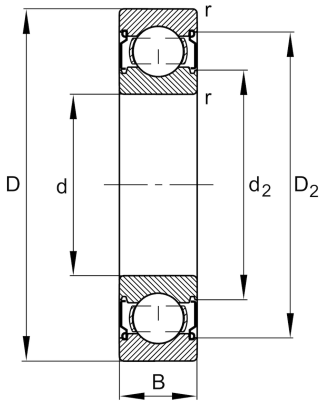
Deep groove ball bearing

Schaeffler ID:  
0618088220000

Deep groove ball bearing 60...-C-2Z, single row, Generation C, shields, steel sheet metal cage

★ Preferred product

## Technical information



## Temperature range

$T_{\min}$	-20 °C	Operating temperature min.
$T_{\max}$	120 °C	Operating temperature max.
	0,065 kg	Weight

## Main Dimensions &amp; Performance Data

d	20 mm	Bore diameter
D	42 mm	Outside diameter
B	12 mm	Width
$C_r$	10.600 N	Basic dynamic load rating, radial
$C_{0r}$	5.000 N	Basic static load rating, radial
$C_{ur}$	340 N	Fatigue load limit, radial
$n_G$	23.200 1/min	Limiting speed
$n_{gr}$	19.700 1/min	Reference speed

## Dimensions

$r_{\min}$	0,6 mm	Minimum chamfer dimension
$D_2$	37,4 mm	Caliber diameter outer ring
$d_2$	25,2 mm	Caliber diameter inner ring

## Mounting dimensions

$d_{a\min}$	23,2 mm	Minimum diameter shaft shoulder
$D_{a\max}$	38,8 mm	Maximum diameter of housing shoulder
$r_{a\max}$	0,6 mm	Maximum fillet radius

## Calculation factors

$f_0$	13,8	Calculation factor
-------	------	--------------------