

**FAG**★ **6002-C-2Z**

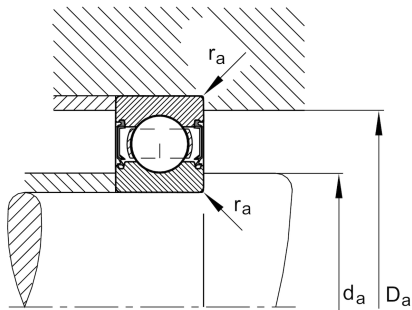
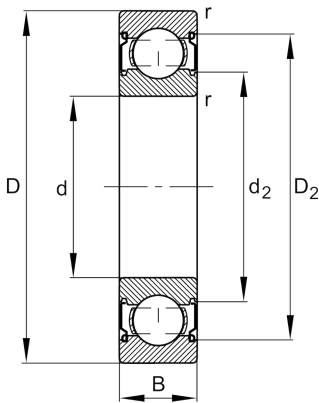
Deep groove ball bearing

Schaeffler ID:
0593717140000

Deep groove ball bearing 60...-C-2Z, single row, Generation C, shields, steel sheet metal cage

★ Preferred product

Technical information

**Temperature range**

| | | |
|------------|----------|----------------------------|
| T_{\min} | -20 °C | Operating temperature min. |
| T_{\max} | 120 °C | Operating temperature max. |
| | 0,029 kg | Weight |

Main Dimensions & Performance Data

| | | |
|----------|--------------|-----------------------------------|
| d | 15 mm | Bore diameter |
| D | 32 mm | Outside diameter |
| B | 9 mm | Width |
| C_r | 6.300 N | Basic dynamic load rating, radial |
| C_{0r} | 2.850 N | Basic static load rating, radial |
| C_{ur} | 191 N | Fatigue load limit, radial |
| n_G | 31.500 1/min | Limiting speed |
| n_{gr} | 23.200 1/min | Reference speed |

Dimensions

| | | |
|------------|---------|-----------------------------|
| r_{\min} | 0,3 mm | Minimum chamfer dimension |
| D_2 | 28,8 mm | Caliber diameter outer ring |
| d_2 | 19,2 mm | Caliber diameter inner ring |

Mounting dimensions

| | | |
|--------------|--------|--------------------------------------|
| $d_{a \min}$ | 17 mm | Minimum diameter shaft shoulder |
| $D_{a \max}$ | 30 mm | Maximum diameter of housing shoulder |
| $r_{a \max}$ | 0,3 mm | Maximum fillet radius |

Calculation factors

| | | |
|-------|----|--------------------|
| f_0 | 14 | Calculation factor |
|-------|----|--------------------|