



FAG

★ 6000-C-2Z

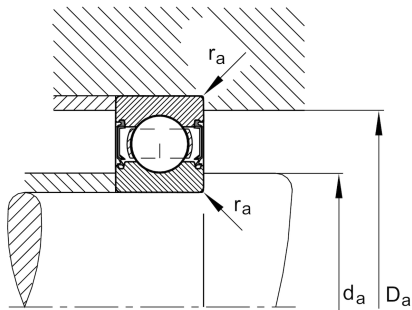
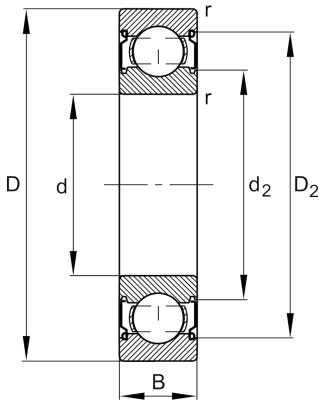
Deep groove ball bearing

Schaeffler ID:
0593722300000

★ Preferred product

Deep groove ball bearing 60...-C-2Z, single row, Generation C, shields, steel sheet metal cage

Technical information



Temperature range

T_{\min}	-20 °C	Operating temperature min.
T_{\max}	120 °C	Operating temperature max.
	0,019 kg	Weight

Main Dimensions & Performance Data

d	10 mm	Bore diameter
D	26 mm	Outside diameter
B	8 mm	Width
C_r	5.300 N	Basic dynamic load rating, radial
C_{0r}	1.970 N	Basic static load rating, radial
C_{ur}	136 N	Fatigue load limit, radial
n_G	38.000 1/min	Limiting speed
n_{gr}	30.000 1/min	Reference speed

Dimensions

r_{\min}	0,3 mm	Minimum chamfer dimension
D_2	23,1 mm	Caliber diameter outer ring
d_2	13,7 mm	Caliber diameter inner ring

Mounting dimensions

$d_{a \min}$	12 mm	Minimum diameter shaft shoulder
$D_{a \max}$	24 mm	Maximum diameter of housing shoulder
$r_{a \max}$	0,3 mm	Maximum fillet radius

Calculation factors

f_0	12,4	Calculation factor
-------	------	--------------------