

FAG

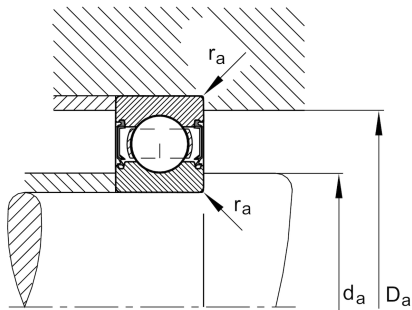
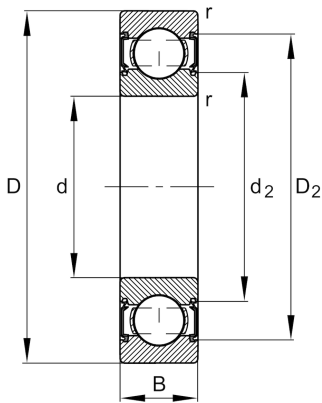
## ★ 6000-C-2HRS

Deep groove ball bearing

Schaeffler ID:  
0619404700000Deep groove ball bearing 60...-C-2HRS,  
single row, Generation C, seals, steel  
sheet metal cage

★ Preferred product

## Technical information



## Temperature range

$T_{min}$	-20 °C	Operating temperature min.
$T_{max}$	110 °C	Operating temperature max.
	0,018 kg	Weight

## Main Dimensions &amp; Performance Data

d	10 mm	Bore diameter
D	26 mm	Outside diameter
B	8 mm	Width
$C_r$	5.300 N	Basic dynamic load rating, radial
$C_{0r}$	1.970 N	Basic static load rating, radial
$C_{ur}$	136 N	Fatigue load limit, radial
$n_G$	28.500 1/min	Limiting speed

## Dimensions

$r_{min}$	0,3 mm	Minimum chamfer dimension
$D_2$	23,1 mm	Caliber diameter outer ring
$d_2$	13,7 mm	Caliber diameter inner ring

## Mounting dimensions

$d_{a min}$	12 mm	Minimum diameter shaft shoulder
$D_{a max}$	24 mm	Maximum diameter of housing shoulder
$r_{a max}$	0,3 mm	Maximum fillet radius

## Calculation factors

$f_0$	12,4	Calculation factor
-------	------	--------------------