

FAG

★ 53313

Axial deep groove ball bearing

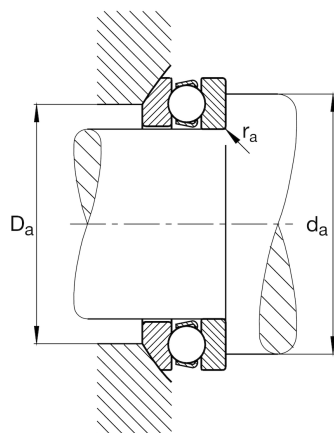
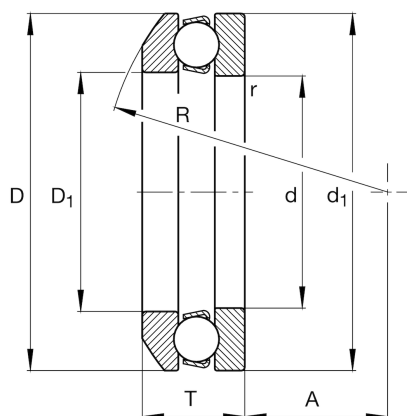
Schaeffler ID:
0190071590000

Axial deep groove ball bearing 533, single direction, with spherical housing washer, steel sheet metal cage

★ Preferred product

Technical information

Main Dimensions & Performance Data



| | | |
|----------|-------------|----------------------------------|
| d | 65 mm | Bore diameter |
| D | 115 mm | Outside diameter |
| T | 39,4 mm | Height |
| C_a | 105.000 N | Basic dynamic load rating, axial |
| C_{0a} | 220.000 N | Basic static load rating, axial |
| C_{ua} | 10.000 N | Fatigue load limit, axial |
| n_G | 3.050 1/min | Limiting speed |
| n_{gr} | 5.300 1/min | Reference speed |
| | 1,51 kg | Weight |

Additional information

| | | |
|-----------|---------|---------------------------------|
| r_{min} | 1,1 mm | Minimum chamfer dimension |
| | U313 | Seat washer |
| D_1 | 67 mm | Bore diameter housing washer |
| d_1 | 115 mm | Lip diameter shaft washer |
| R | 90 mm | Radius spherical housing washer |
| A | 38,5 mm | Distance of the center point |
| T_1 | 43 mm | Height with seat washer |

Mounting dimensions

| | | |
|-------------|-------|--------------------------------------|
| $d_{a min}$ | 95 mm | Minimum diameter shaft shoulder |
| $D_{a max}$ | 90 mm | Maximum diameter of housing shoulder |
| $r_{a max}$ | 1 mm | Maximum recess radius |

Calculation factors

| | | |
|---|------|---------------------|
| A | 0,32 | Minimum load factor |
|---|------|---------------------|

Temperature range

| | | |
|-----------|--------|----------------------------|
| T_{min} | -30 °C | Operating temperature min. |
| T_{max} | 150 °C | Operating temperature max. |