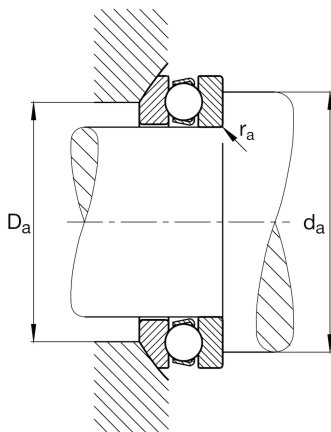
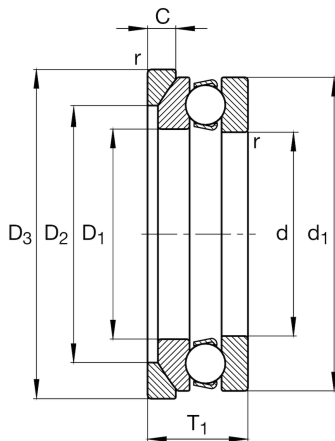
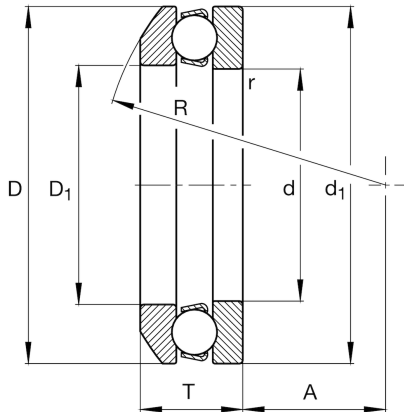
**FAG****53220**

Axial deep groove ball bearing

Schaeffler ID:
0190071160000

Axial deep groove ball bearing 532, single direction, with spherical housing washer, steel sheet metal cage

Technical information

**Dimensions**

r_{\min}	1,1 mm	Minimum chamfer dimension
D_1	103 mm	Inner diameter housing washer
d_1	150 mm	Outer diameter shaft washer
R	112 mm	Radius spherical housing washer
A	52 mm	Distance of the center point
T_1	45 mm	Height with seat washer
	2,228 kg	Weight

Main Dimensions & Performance Data

d	100 mm	Inner diameter shaft washer
D	150 mm	Outer diameter housing washer
T	40,9 mm	Height
C_a	119.000 N	Basic dynamic load rating, axial
C_{0a}	325.000 N	Basic static load rating, axial
C_{ua}	13.300 N	Fatigue load limit, axial
n_G	2.700 1/min	Limiting speed
n_{gr}	3.600 1/min	Reference speed

Mounting dimensions

$d_{a\min}$	130 mm	Minimum diameter shaft shoulder
$D_{a\max}$	125 mm	Maximum diameter of housing shoulder
$r_{a\max}$	1 mm	Maximum filled radius

Calculation factors

A	0,68	Minimum load factor
---	------	---------------------

Additional information

U220	Seat washer
------	-------------

Temperature range

T_{\min}	-30 °C	Operating temperature min.
T_{\max}	150 °C	Operating temperature max.

