

FAG

★ 53214

Axial deep groove ball bearing

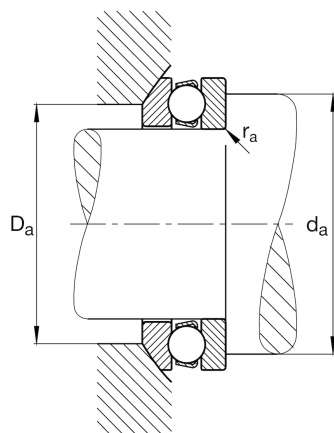
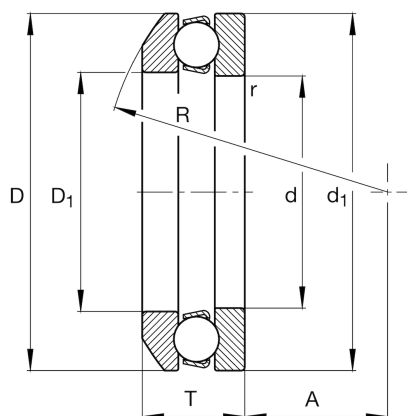
Schaeffler ID:
0167158450000

Axial deep groove ball bearing 532, single direction, with spherical housing washer, steel sheet metal cage

★ Preferred product

Technical information

Main Dimensions & Performance Data



d	70 mm	Bore diameter
D	105 mm	Outside diameter
T	28,8 mm	Height
C_a	66.000 N	Basic dynamic load rating, axial
C_{0a}	159.000 N	Basic static load rating, axial
C_{ua}	7.200 N	Fatigue load limit, axial
n_G	4.000 1/min	Limiting speed
n_{gr}	4.550 1/min	Reference speed
	0,78 kg	Weight

Additional information

r_{min}	1 mm	Minimum chamfer dimension
	U214	Seat washer
D_1	72 mm	Bore diameter housing washer
d_1	105 mm	Lip diameter shaft washer
R	80 mm	Radius spherical housing washer
A	38 mm	Distance of the center point
T_1	32 mm	Height with seat washer

Mounting dimensions

$d_{a min}$	91 mm	Minimum diameter shaft shoulder
$D_{a max}$	88 mm	Maximum diameter of housing shoulder
$r_{a max}$	1 mm	Maximum recess radius

Calculation factors

A	0,16	Minimum load factor
---	------	---------------------

Temperature range

T_{min}	-30 °C	Operating temperature min.
T_{max}	150 °C	Operating temperature max.