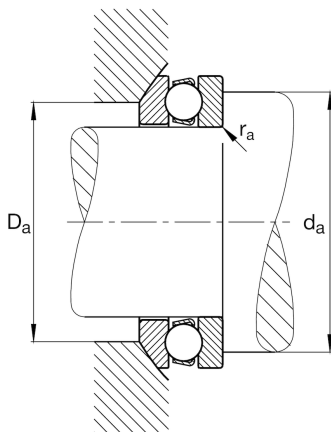
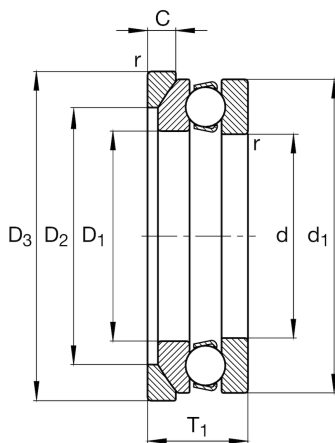
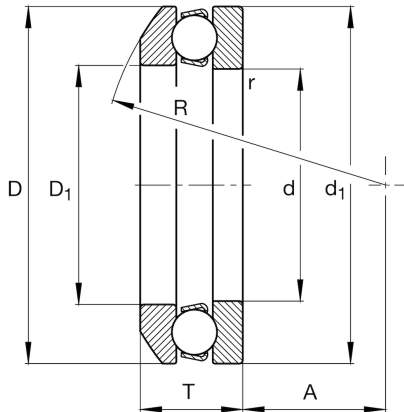
**FAG****53207**

## Axial deep groove ball bearing

Schaeffler ID:  
0167157990000

Axial deep groove ball bearing 532, single direction, with spherical housing washer, steel sheet metal cage

## Technical information

**Dimensions**

$r_{\min}$	1 mm	Minimum chamfer dimension
$D_1$	37 mm	Inner diameter housing washer
$d_1$	62 mm	Outer diameter shaft washer
R	50 mm	Radius spherical housing washer
A	24 mm	Distance of the center point
$T_1$	22 mm	Height with seat washer
	0,221 kg	Weight

**Main Dimensions & Performance Data**

d	35 mm	Inner diameter shaft washer
D	62 mm	Outer diameter housing washer
T	19,9 mm	Height
$C_a$	35.500 N	Basic dynamic load rating, axial
$C_{0a}$	67.000 N	Basic static load rating, axial
$C_{ua}$	3.100 N	Fatigue load limit, axial
$n_G$	6.000 1/min	Limiting speed
$n_{gr}$	8.000 1/min	Reference speed

**Mounting dimensions**

$d_{a \min}$	51 mm	Minimum diameter shaft shoulder
$D_{a \max}$	48 mm	Maximum diameter of housing shoulder
$r_{a \max}$	1 mm	Maximum filled radius

**Calculation factors**

A	0,028	Minimum load factor
---	-------	---------------------

**Additional information**

U207	Seat washer
------	-------------

**Temperature range**

$T_{\min}$	-30 °C	Operating temperature min.
$T_{\max}$	150 °C	Operating temperature max.

