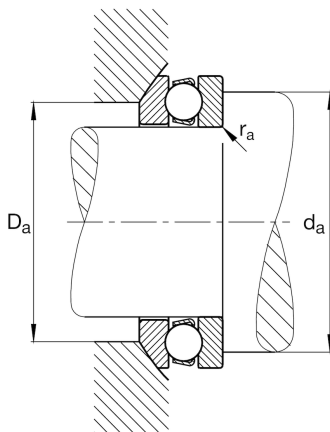
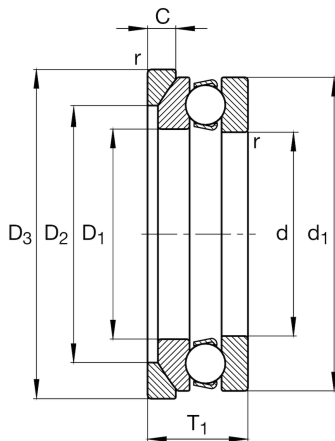
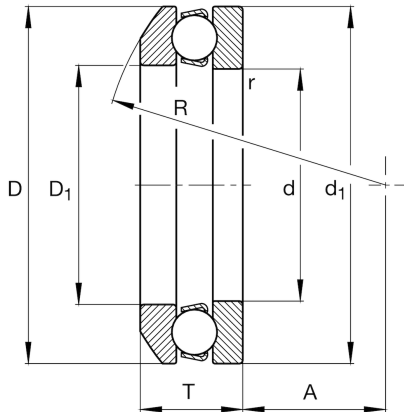
**FAG****53205**

Axial deep groove ball bearing

Schaeffler ID:
0167157640000

Axial deep groove ball bearing 532, single direction, with spherical housing washer, steel sheet metal cage

Technical information

**Dimensions**

r_{\min}	0,6 mm	Minimum chamfer dimension
D_1	27 mm	Inner diameter housing washer
d_1	47 mm	Outer diameter shaft washer
R	40 mm	Radius spherical housing washer
A	19 mm	Distance of the center point
T_1	19 mm	Height with seat washer
	0,119 kg	Weight

Main Dimensions & Performance Data

d	25 mm	Inner diameter shaft washer
D	47 mm	Outer diameter housing washer
T	16,7 mm	Height
C_a	26.500 N	Basic dynamic load rating, axial
C_{0a}	50.000 N	Basic static load rating, axial
C_{ua}	2.280 N	Fatigue load limit, axial
n_G	7.500 1/min	Limiting speed
n_{gr}	9.800 1/min	Reference speed

Mounting dimensions

$d_{a \min}$	38 mm	Minimum diameter shaft shoulder
$D_{a \max}$	36 mm	Maximum diameter of housing shoulder
$r_{a \max}$	0,6 mm	Maximum filled radius

Calculation factors

A	0,013	Minimum load factor
---	-------	---------------------

Additional information

U205	Seat washer
------	-------------

Temperature range

T_{\min}	-30 °C	Operating temperature min.
T_{\max}	150 °C	Operating temperature max.

