



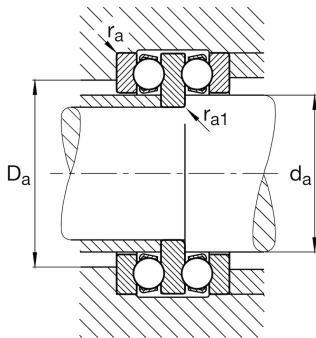
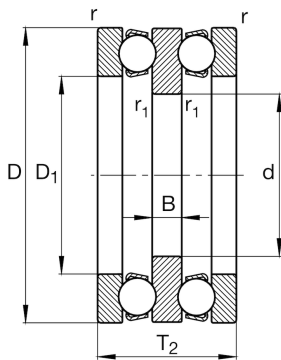
FAG

**52218**

Axial deep groove ball bearing

Schaeffler ID:  
0167155860000Axial deep groove ball bearing 522, double  
direction, steel sheet metal cage

## Technical information

**Main Dimensions & Performance Data**

d	75 mm	Inner diameter shaft washer
D	135 mm	Outer diameter housing washer
T <sub>2</sub>	62 mm	Height
C <sub>a</sub>	119.000 N	Basic dynamic load rating, axial
C <sub>0a</sub>	300.000 N	Basic static load rating, axial
C <sub>ua</sub>	13.000 N	Fatigue load limit, axial
n <sub>G</sub>	2.900 1/min	Limiting speed
n <sub>gr</sub>	3.800 1/min	Reference speed
	3,055 kg	Weight

**Mounting dimensions**

d <sub>a max</sub>	90 mm	Maximum diameter shaft shoulder
D <sub>a max</sub>	108 mm	Maximum diameter of housing shoulder
r <sub>a max</sub>	1 mm	Maximum filled radius
r <sub>a1 max</sub>	1 mm	Maximum filled radius

**Dimensions**

D <sub>1</sub>	93 mm	Inner diameter housing washer
A	0,54	Minimum load factor
B	14 mm	Height shaft washer
r <sub>min</sub>	1,1 mm	Minimum chamfer dimension
r <sub>1 min</sub>	1 mm	Minimum chamfer dimension

**Temperature range**

T <sub>min</sub>	-30 °C	Operating temperature min.
T <sub>max</sub>	150 °C	Operating temperature max.