



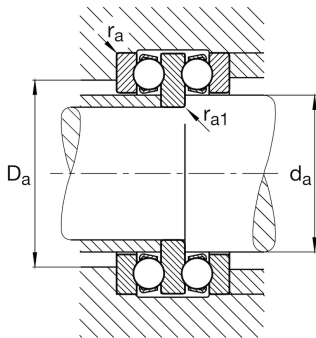
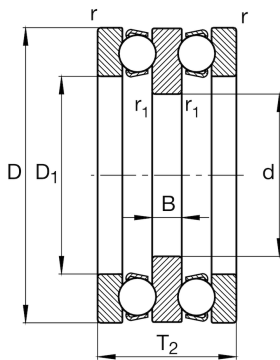
FAG

52206

Axial deep groove ball bearing

Schaeffler ID:
0190069340000Axial deep groove ball bearing 522, double
direction, steel sheet metal cage

Technical information

**Dimensions**

| | | |
|--------------|----------|-------------------------------|
| D_1 | 32 mm | Inner diameter housing washer |
| B | 7 mm | Height shaft washer |
| r_{\min} | 0,6 mm | Minimum chamfer dimension |
| $r_{1 \min}$ | 0,3 mm | Minimum chamfer dimension |
| | 0,249 kg | Weight |

Main Dimensions & Performance Data

| | | |
|----------|-------------|----------------------------------|
| d | 25 mm | Inner diameter shaft washer |
| D | 52 mm | Outer diameter housing washer |
| T_2 | 29 mm | Height |
| C_a | 23.900 N | Basic dynamic load rating, axial |
| C_{0a} | 46.000 N | Basic static load rating, axial |
| C_{ua} | 2.100 N | Fatigue load limit, axial |
| n_G | 7.300 1/min | Limiting speed |
| n_{gr} | 8.200 1/min | Reference speed |

Mounting dimensions

| | | |
|---------------|--------|--------------------------------------|
| $d_{a \max}$ | 30 mm | Maximum diameter shaft shoulder |
| $D_{a \max}$ | 39 mm | Maximum diameter of housing shoulder |
| $r_{a \max}$ | 0,6 mm | Maximum filled radius |
| $r_{a1 \max}$ | 0,3 mm | Maximum filled radius |

Calculation factors

| | | |
|---|-------|---------------------|
| A | 0,014 | Minimum load factor |
|---|-------|---------------------|

Temperature range

| | | |
|------------|--------|----------------------------|
| T_{\min} | -30 °C | Operating temperature min. |
| T_{\max} | 150 °C | Operating temperature max. |