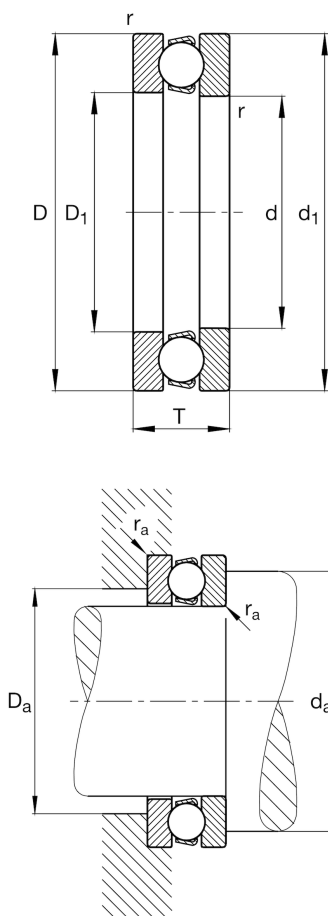
**FAG****51408**

Axial deep groove ball bearing

Schaeffler ID:
0190069000000Axial deep groove ball bearing 514, single
direction, steel sheet metal cage

Technical information

**Dimensions**

r_{\min}	1,1 mm	Minimum chamfer dimension
D_1	42 mm	Inner diameter housing washer
d_1	90 mm	Outer diameter shaft washer
	1,083 kg	Weight

Main Dimensions & Performance Data

d	40 mm	Inner diameter shaft washer
D	90 mm	Outer diameter housing washer
T	36 mm	Height
C_a	96.000 N	Basic dynamic load rating, axial
C_{0a}	170.000 N	Basic static load rating, axial
C_{ua}	7.700 N	Fatigue load limit, axial
n_G	3.250 1/min	Limiting speed
n_{gr}	7.600 1/min	Reference speed

Mounting dimensions

$d_{a \min}$	70 mm	Minimum diameter shaft shoulder
$D_{a \max}$	60 mm	Maximum diameter of housing shoulder
$r_{a \max}$	1 mm	Maximum filled radius

Calculation factors

A	0,18	Minimum load factor
-----	------	---------------------

Temperature range

T_{\min}	-30 °C	Operating temperature min.
T_{\max}	150 °C	Operating temperature max.