



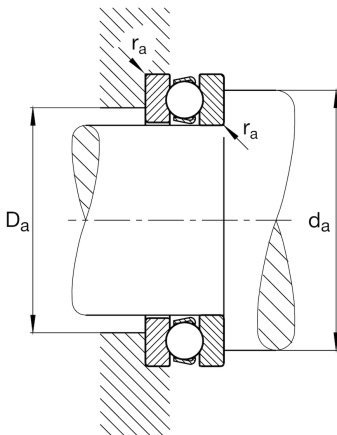
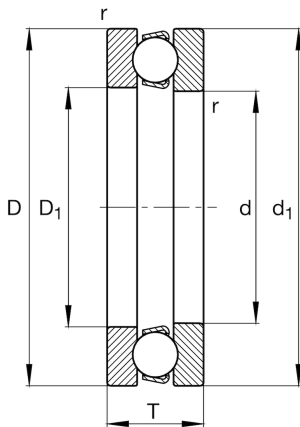
FAG

**51324-MP**

Axial deep groove ball bearing

Schaeffler ID:  
0167154110000Axial deep groove ball bearing 513..-MP,  
single direction, solid brass cage

## Technical information

**Main Dimensions & Performance Data**

d	120 mm	Inner diameter shaft washer
D	210 mm	Outer diameter housing washer
T	70 mm	Height
$C_a$	325.000 N	Basic dynamic load rating, axial
$C_{0a}$	910.000 N	Basic static load rating, axial
$C_{ua}$	32.500 N	Fatigue load limit, axial
$n_G$	1.610 1/min	Limiting speed
$n_{gr}$	3.200 1/min	Reference speed
	10,414 kg	Weight

**Mounting dimensions**

$d_{a \min}$	174 mm	Minimum diameter shaft shoulder
$D_{a \max}$	156 mm	Maximum diameter of housing shoulder
$r_{a \max}$	2,1 mm	Maximum fillet radius

**Dimensions**

$r_{\min}$	2,1 mm	Minimum chamfer dimension
A	4,4	Minimum load factor
$D_1$	123 mm	Inner diameter housing washer
$d_1$	205 mm	Outer diameter shaft washer

**Temperature range**

$T_{\min}$	-30 °C	Operating temperature min.
$T_{\max}$	150 °C	Operating temperature max.