

FAG

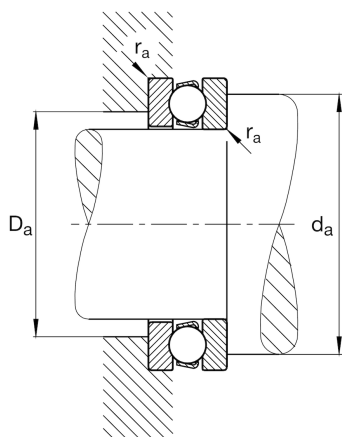
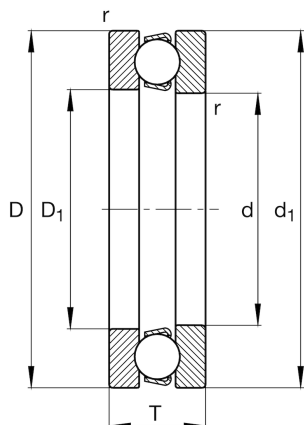
★ 51236-MP

Axial deep groove ball bearing

Schaeffler ID:
019062220000Axial deep groove ball bearing 512...-MP,
single direction, solid brass cage

★ Preferred product

Technical information



Temperature range

T_{\min}	-30 °C	Operating temperature min.
T_{\max}	200 °C	Operating temperature max.
	8,404 kg	Weight

Main Dimensions & Performance Data

d	180 mm	Bore diameter
D	250 mm	Outside diameter
T	56 mm	Height
C_a	305.000 N	Basic dynamic load rating, axial
C_{0a}	1.030.000 N	Basic static load rating, axial
C_{ua}	32.500 N	Fatigue load limit, axial
n_G	1.670 1/min	Limiting speed
n_{gr}	2.080 1/min	Reference speed

Dimensions

r_{\min}	1,5 mm	Minimum chamfer dimension
D_1	183 mm	Bore diameter housing washer
d_1	245 mm	Lip diameter shaft washer

Mounting dimensions

$d_{a \min}$	222 mm	Minimum diameter shaft shoulder
$D_{a \max}$	208 mm	Maximum diameter of housing shoulder
$r_{a \max}$	1,5 mm	Maximum recess radius

Additional information

A	5,4	Minimum load factor
---	-----	---------------------