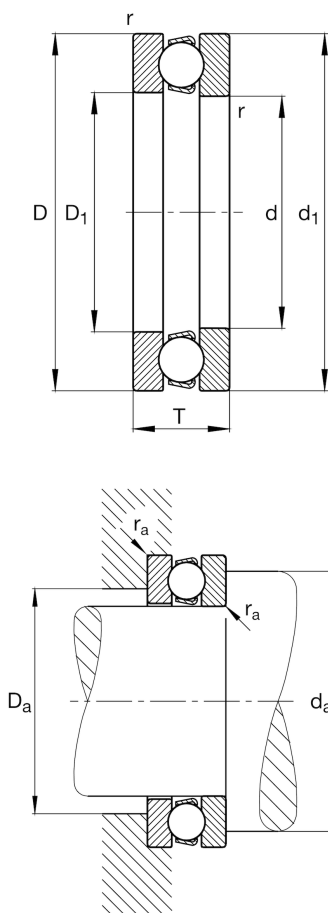
**FAG****51218**

Axial deep groove ball bearing

Schaeffler ID:
0167151600000Axial deep groove ball bearing 512, single
direction, steel sheet metal cage

Technical information

**Dimensions**

r_{\min}	1,1 mm	Minimum chamfer dimension
D_1	93 mm	Inner diameter housing washer
d_1	135 mm	Outer diameter shaft washer
	1,682 kg	Weight

Main Dimensions & Performance Data

d	90 mm	Inner diameter shaft washer
D	135 mm	Outer diameter housing washer
T	35 mm	Height
C_a	119.000 N	Basic dynamic load rating, axial
C_{0a}	300.000 N	Basic static load rating, axial
C_{ua}	13.000 N	Fatigue load limit, axial
n_G	2.900 1/min	Limiting speed
$n_{\vartheta r}$	3.750 1/min	Reference speed

Mounting dimensions

$d_{a \min}$	117 mm	Minimum diameter shaft shoulder
$D_{a \max}$	108 mm	Maximum diameter of housing shoulder
$r_{a \max}$	1 mm	Maximum fillet radius

Calculation factors

A	0,54	Minimum load factor
-----	------	---------------------

Temperature range

T_{\min}	-30 °C	Operating temperature min.
T_{\max}	150 °C	Operating temperature max.