

FAG

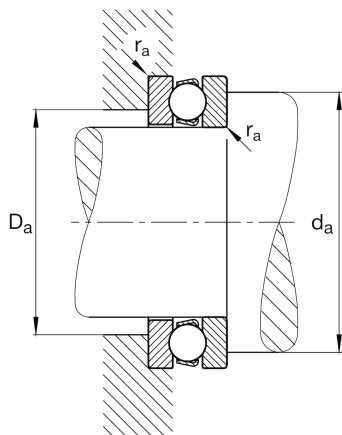
★ 51216

Axial deep groove ball bearing

Schaeffler ID:
0167151440000Axial deep groove ball bearing 512, single
direction, steel sheet metal cage

★ Preferred product

Technical information



Main Dimensions & Performance Data

d	80 mm	Bore diameter
D	115 mm	Outside diameter
T	28 mm	Height
C_a	75.000 N	Basic dynamic load rating, axial
C_{0a}	191.000 N	Basic static load rating, axial
C_{ua}	8.800 N	Fatigue load limit, axial
n_G	3.700 1/min	Limiting speed
n_{gr}	3.950 1/min	Reference speed
	0,908 kg	Weight

Additional information

r_{min}	1 mm	Minimum chamfer dimension
D_1	82 mm	Bore diameter housing washer
d_1	115 mm	Lip diameter shaft washer

Mounting dimensions

$d_{a min}$	101 mm	Minimum diameter shaft shoulder
$D_{a max}$	94 mm	Maximum diameter of housing shoulder
$r_{a max}$	1 mm	Maximum recess radius

Calculation factors

A	0,23	Minimum load factor
---	------	---------------------

Temperature range

T_{min}	-30 °C	Operating temperature min.
T_{max}	150 °C	Operating temperature max.