

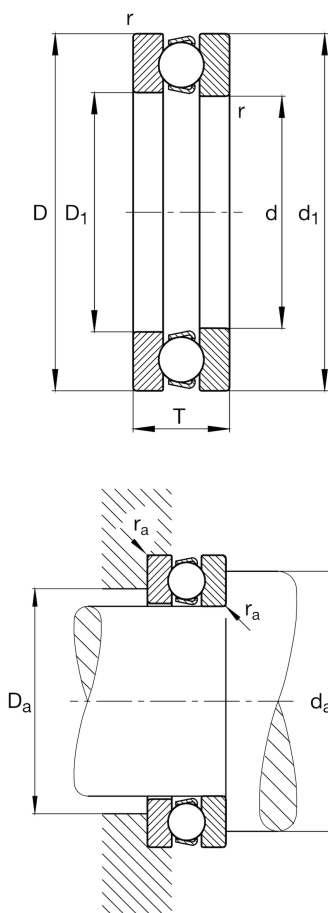
FAG

**51214**

Axial deep groove ball bearing

Schaeffler ID:  
0167151280000Axial deep groove ball bearing 512, single  
direction, steel sheet metal cage

## Technical information

**Dimensions**

$r_{\min}$	1 mm	Minimum chamfer dimension
$D_1$	72 mm	Inner diameter housing washer
$d_1$	105 mm	Outer diameter shaft washer
	0,772 kg	Weight

**Main Dimensions & Performance Data**

$d$	70 mm	Inner diameter shaft washer
$D$	105 mm	Outer diameter housing washer
$T$	27 mm	Height
$C_a$	66.000 N	Basic dynamic load rating, axial
$C_{0a}$	159.000 N	Basic static load rating, axial
$C_{ua}$	7.200 N	Fatigue load limit, axial
$n_G$	4.000 1/min	Limiting speed
$n_{gr}$	4.550 1/min	Reference speed

**Mounting dimensions**

$d_{a \min}$	91 mm	Minimum diameter shaft shoulder
$D_{a \max}$	84 mm	Maximum diameter of housing shoulder
$r_{a \max}$	1 mm	Maximum filled radius

**Calculation factors**

$A$	0,16	Minimum load factor
-----	------	---------------------

**Temperature range**

$T_{\min}$	-30 °C	Operating temperature min.
$T_{\max}$	150 °C	Operating temperature max.