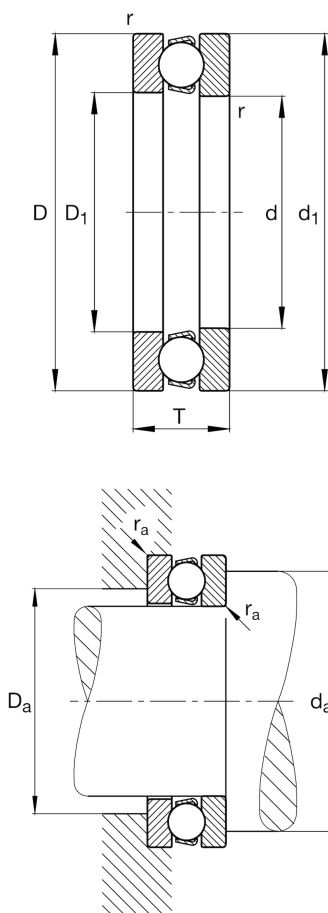
**FAG****51209**

Axial deep groove ball bearing

Schaeffler ID:
0167150710000Axial deep groove ball bearing 512, single
direction, steel sheet metal cage

Technical information

**Dimensions**

r_{\min}	1 mm	Minimum chamfer dimension
D_1	47 mm	Inner diameter housing washer
d_1	73 mm	Outer diameter shaft washer
	320 g	Weight

Main Dimensions & Performance Data

d	45 mm	Inner diameter shaft washer
D	73 mm	Outer diameter housing washer
T	20 mm	Height
C_a	39.000 N	Basic dynamic load rating, axial
C_{0a}	80.000 N	Basic static load rating, axial
C_{ua}	3.650 N	Fatigue load limit, axial
n_G	5.500 1/min	Limiting speed
$n_{\vartheta r}$	6.600 1/min	Reference speed

Mounting dimensions

$d_{a \min}$	62 mm	Minimum diameter shaft shoulder
$D_{a \max}$	56 mm	Maximum diameter of housing shoulder
$r_{a \max}$	1 mm	Maximum filled radius

Calculation factors

A	0,043	Minimum load factor
-----	-------	---------------------

Temperature range

T_{\min}	-30 °C	Operating temperature min.
T_{\max}	150 °C	Operating temperature max.