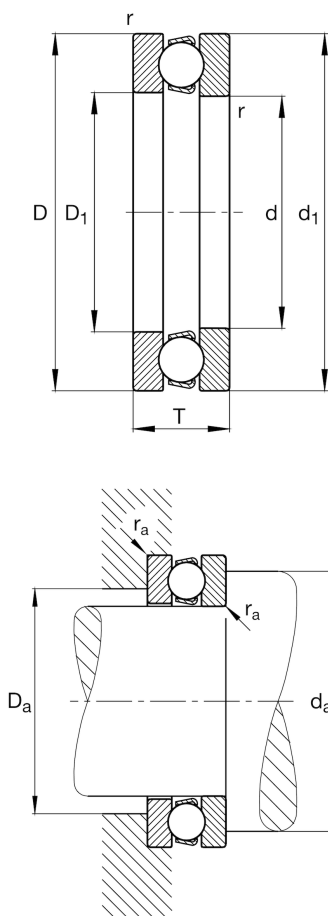
**FAG****51203**

Axial deep groove ball bearing

Schaeffler ID:
0167150040000Axial deep groove ball bearing 512, single
direction, steel sheet metal cage

Technical information

**Dimensions**

r_{\min}	0,6 mm	Minimum chamfer dimension
D_1	19 mm	Inner diameter housing washer
d_1	35 mm	Outer diameter shaft washer
	0,052 kg	Weight

Main Dimensions & Performance Data

d	17 mm	Inner diameter shaft washer
D	35 mm	Outer diameter housing washer
T	12 mm	Height
C_a	17.200 N	Basic dynamic load rating, axial
C_{0a}	27.500 N	Basic static load rating, axial
C_{ua}	1.240 N	Fatigue load limit, axial
n_G	9.700 1/min	Limiting speed
n_{gr}	13.200 1/min	Reference speed

Mounting dimensions

$d_{a \min}$	28 mm	Minimum diameter shaft shoulder
$D_{a \max}$	24 mm	Maximum diameter of housing shoulder
$r_{a \max}$	0,6 mm	Maximum fillet radius

Calculation factors

A	0,004	Minimum load factor
-----	-------	---------------------

Temperature range

T_{\min}	-30 °C	Operating temperature min.
T_{\max}	150 °C	Operating temperature max.