



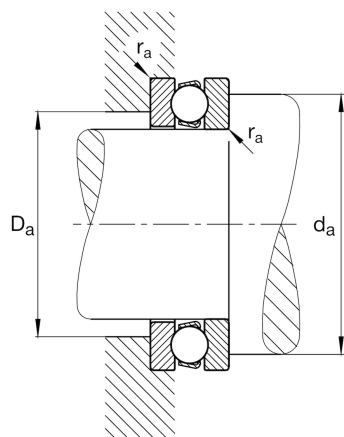
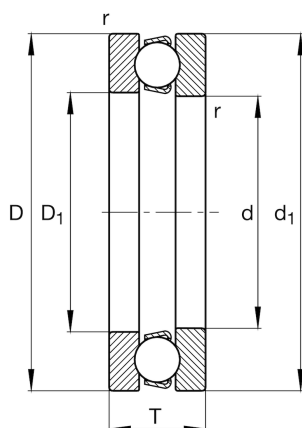
FAG

51138-MP

Axial deep groove ball bearing

Schaeffler ID:
0190612690000Axial deep groove ball bearing 511..-MP,
single direction, solid brass cage

Technical information

**Main Dimensions & Performance Data**

d	190 mm	Inner diameter shaft washer
D	240 mm	Outer diameter housing washer
T	37 mm	Height
C_a	161.000 N	Basic dynamic load rating, axial
C_{0a}	650.000 N	Basic static load rating, axial
C_{ua}	20.200 N	Fatigue load limit, axial
n_G	2.040 1/min	Limiting speed
n_{gr}	1.850 1/min	Reference speed
	4,06 kg	Weight

Dimensions

$d_{a \min}$	220 mm	Minimum diameter shaft shoulder
r_{\min}	1,1 mm	Minimum chamfer dimension
D_1	193 mm	Inner diameter housing washer
$D_{a \max}$	210 mm	Maximum diameter of housing shoulder
d_1	237 mm	Outer diameter shaft washer
$r_{a \max}$	1 mm	Maximum filled radius

Calculation factors

A	2,3	Minimum load factor
---	-----	---------------------

Temperature range

T_{\min}	-30 °C	Operating temperature min.
T_{\max}	150 °C	Operating temperature max.