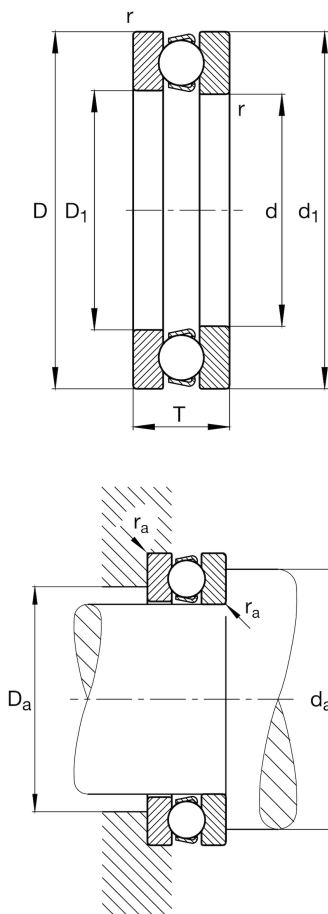
**FAG****51118**

Axial deep groove ball bearing

Schaeffler ID:
0167148140000Axial deep groove ball bearing 511, single
direction, steel sheet metal cage

Technical information



Dimensions

r_{\min}	1 mm	Minimum chamfer dimension
D_1	92 mm	Inner diameter housing washer
d_1	120 mm	Outer diameter shaft washer
	0,65 kg	Weight

Main Dimensions & Performance Data

d	90 mm	Inner diameter shaft washer
D	120 mm	Outer diameter housing washer
T	22 mm	Height
C_a	45.500 N	Basic dynamic load rating, axial
C_{0a}	140.000 N	Basic static load rating, axial
C_{ua}	6.300 N	Fatigue load limit, axial
n_G	4.300 1/min	Limiting speed
n_{gr}	3.500 1/min	Reference speed

Mounting dimensions

$d_{a \min}$	108 mm	Minimum diameter shaft shoulder
$D_{a \max}$	102 mm	Maximum diameter of housing shoulder
$r_{a \max}$	1 mm	Maximum filled radius

Calculation factors

A	0,12	Minimum load factor
-----	------	---------------------

Temperature range

T_{\min}	-30 °C	Operating temperature min.
T_{\max}	150 °C	Operating temperature max.