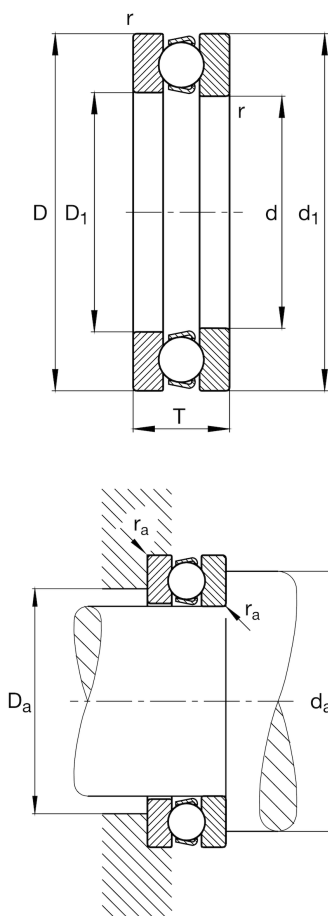
**FAG****51112**

Axial deep groove ball bearing

Schaeffler ID:
0167147410000Axial deep groove ball bearing 511, single
direction, steel sheet metal cage

Technical information



Dimensions

r_{\min}	1 mm	Minimum chamfer dimension
D_1	62 mm	Inner diameter housing washer
d_1	85 mm	Outer diameter shaft washer
	290 g	Weight

Main Dimensions & Performance Data

d	60 mm	Inner diameter shaft washer
D	85 mm	Outer diameter housing washer
T	17 mm	Height
C_a	41.500 N	Basic dynamic load rating, axial
C_{0a}	113.000 N	Basic static load rating, axial
C_{ua}	5.200 N	Fatigue load limit, axial
n_G	5.500 1/min	Limiting speed
$n_{\vartheta r}$	4.650 1/min	Reference speed

Mounting dimensions

$d_{a \min}$	75 mm	Minimum diameter shaft shoulder
$D_{a \max}$	70 mm	Maximum diameter of housing shoulder
$r_{a \max}$	1 mm	Maximum filled radius

Calculation factors

A	0,065	Minimum load factor
-----	-------	---------------------

Temperature range

T_{\min}	-30 °C	Operating temperature min.
T_{\max}	150 °C	Operating temperature max.