

FAG

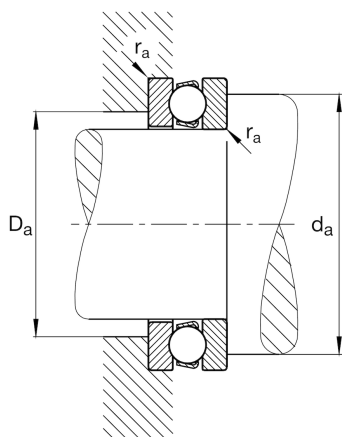
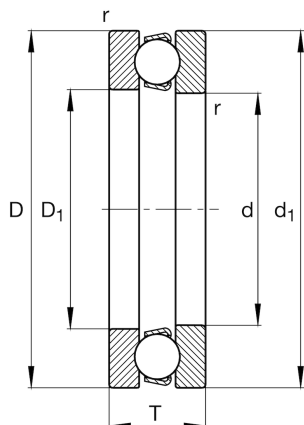
★ 51110

Axial deep groove ball bearing

Schaeffler ID:  
0167147250000Axial deep groove ball bearing 511, single  
direction, steel sheet metal cage

★ Preferred product

## Technical information



## Temperature range

$T_{\min}$	-30 °C	Operating temperature min.
$T_{\max}$	150 °C	Operating temperature max.
	0,002 kg	Weight

## Main Dimensions &amp; Performance Data

d	50 mm	Bore diameter
D	70 mm	Outside diameter
T	14 mm	Height
$C_a$	27.000 N	Basic dynamic load rating, axial
$C_{0a}$	75.000 N	Basic static load rating, axial
$C_{ua}$	3.400 N	Fatigue load limit, axial
$n_G$	6.800 1/min	Limiting speed
$n_{gr}$	5.200 1/min	Reference speed

## Dimensions

$r_{\min}$	0,6 mm	Minimum chamfer dimension
$D_1$	52 mm	Bore diameter housing washer
$d_1$	70 mm	Lip diameter shaft washer

## Mounting dimensions

$d_{a \min}$	62 mm	Minimum diameter shaft shoulder
$D_{a \max}$	58 mm	Maximum diameter of housing shoulder
$r_{a \max}$	0,6 mm	Maximum recess radius

## Additional information

A	0,029	Minimum load factor
---	-------	---------------------