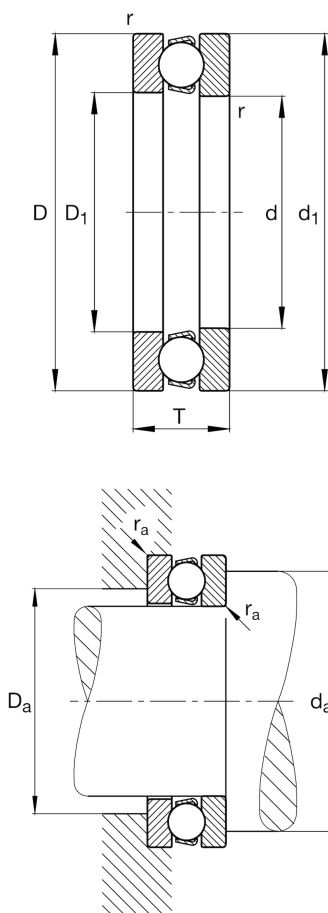
**FAG****51103**

Axial deep groove ball bearing

Schaeffler ID:
0167146520000Axial deep groove ball bearing 511, single
direction, steel sheet metal cage

Technical information

**Dimensions**

r_{\min}	0,3 mm	Minimum chamfer dimension
D_1	18 mm	Inner diameter housing washer
d_1	30 mm	Outer diameter shaft washer
	0,027 kg	Weight

Main Dimensions & Performance Data

d	17 mm	Inner diameter shaft washer
D	30 mm	Outer diameter housing washer
T	9 mm	Height
C_a	11.300 N	Basic dynamic load rating, axial
C_{0a}	19.600 N	Basic static load rating, axial
C_{ua}	900 N	Fatigue load limit, axial
n_G	12.900 1/min	Limiting speed
$n_{\vartheta r}$	12.500 1/min	Reference speed

Mounting dimensions

$d_{a \min}$	25 mm	Minimum diameter shaft shoulder
$D_{a \max}$	22 mm	Maximum diameter of housing shoulder
$r_{a \max}$	0,3 mm	Maximum filled radius

Calculation factors

A	0,002	Minimum load factor
-----	-------	---------------------

Temperature range

T_{\min}	-30 °C	Operating temperature min.
T_{\max}	150 °C	Operating temperature max.