

FAG

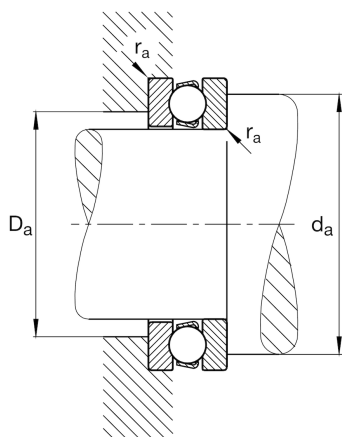
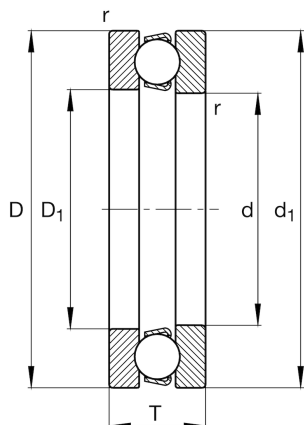
★ 51102

Axial deep groove ball bearing

Schaeffler ID:  
0167146440000Axial deep groove ball bearing 511, single  
direction, steel sheet metal cage

★ Preferred product

## Technical information



## Temperature range

$T_{\min}$	-30 °C	Operating temperature min.
$T_{\max}$	150 °C	Operating temperature max.
	27 g	Weight

## Main Dimensions &amp; Performance Data

d	15 mm	Bore diameter
D	28 mm	Outside diameter
T	9 mm	Height
$C_a$	10.500 N	Basic dynamic load rating, axial
$C_{0a}$	16.800 N	Basic static load rating, axial
$C_{ua}$	770 N	Fatigue load limit, axial
$n_G$	13.100 1/min	Limiting speed
$n_{gr}$	14.000 1/min	Reference speed

## Dimensions

$r_{\min}$	0,3 mm	Minimum chamfer dimension
$D_1$	16 mm	Bore diameter housing washer
$d_1$	28 mm	Lip diameter shaft washer

## Mounting dimensions

$d_{a \min}$	23 mm	Minimum diameter shaft shoulder
$D_{a \max}$	20 mm	Maximum diameter of housing shoulder
$r_{a \max}$	0,3 mm	Maximum recess radius

## Additional information

A	0,002	Minimum load factor
---	-------	---------------------