

FAG

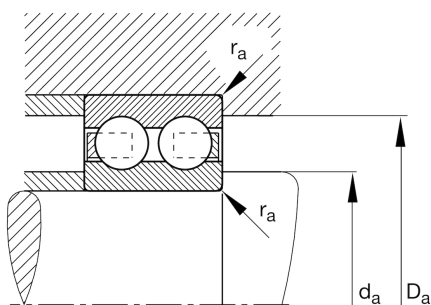
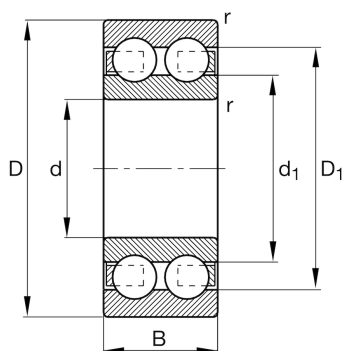
★ 4214-B-TVH

Deep groove ball bearing

Schaeffler ID:
0167144310000Deep groove ball bearing 42...-B-TVH,
double row, plastic cage

★ Preferred product

Technical information



Temperature range

T_{min}	-20 °C	Operating temperature min.
T_{max}	120 °C	Operating temperature max.
	1,521 kg	Weight

Main Dimensions & Performance Data

d	70 mm	Bore diameter
D	125 mm	Outside diameter
B	31 mm	Width
C_r	70.000 N	Basic dynamic load rating, radial
C_{0r}	71.000 N	Basic static load rating, radial
C_{ur}	3.700 N	Fatigue load limit, radial
n_G	4.300 1/min	Limiting speed
n_{gr}	4.800 1/min	Reference speed

Dimensions

r_{min}	1,5 mm	Minimum chamfer dimension
D_1	109,4 mm	Shoulder diameter outer ring
d_1	91,7 mm	Shoulder diameter inner ring

Mounting dimensions

$d_{a min}$	79 mm	Minimum diameter shaft shoulder
$D_{a max}$	116 mm	Maximum diameter of housing shoulder
$r_{a max}$	1,5 mm	Maximum fillet radius

Calculation factors

f_0	15	Calculation factor
-------	----	--------------------