

FAG

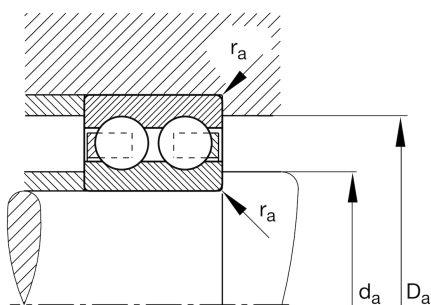
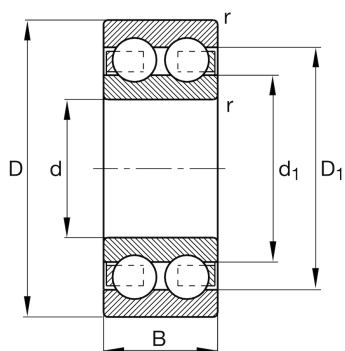
★ 4203-BB-TVH

Deep groove ball bearing

Schaeffler ID:
0219415210000Deep groove ball bearing 42...BB-TVH,
double row, plastic cage

★ Preferred product

Technical information



Temperature range

| | | |
|------------|--------|----------------------------|
| T_{\min} | -20 °C | Operating temperature min. |
| T_{\max} | 120 °C | Operating temperature max. |
| | 0,1 kg | Weight |

Main Dimensions & Performance Data

| | | |
|----------|--------------|-----------------------------------|
| d | 17 mm | Bore diameter |
| D | 40 mm | Outside diameter |
| B | 16 mm | Width |
| C_r | 15.600 N | Basic dynamic load rating, radial |
| C_{0r} | 9.500 N | Basic static load rating, radial |
| C_{ur} | 495 N | Fatigue load limit, radial |
| n_G | 14.900 1/min | Limiting speed |
| n_{gr} | 15.100 1/min | Reference speed |

Dimensions

| | | |
|------------|---------|------------------------------|
| r_{\min} | 0,6 mm | Minimum chamfer dimension |
| D_1 | 32,9 mm | Shoulder diameter outer ring |
| d_1 | 23,8 mm | Shoulder diameter inner ring |

Mounting dimensions

| | | |
|-------------|---------|--------------------------------------|
| $d_{a\min}$ | 21,2 mm | Minimum diameter shaft shoulder |
| $D_{a\max}$ | 35,8 mm | Maximum diameter of housing shoulder |
| $r_{a\max}$ | 0,6 mm | Maximum fillet radius |

Calculation factors

| | | |
|-------|----|--------------------|
| f_0 | 13 | Calculation factor |
|-------|----|--------------------|