

FAG

★ 3310-BD-XL-TVH

Angular contact ball bearing

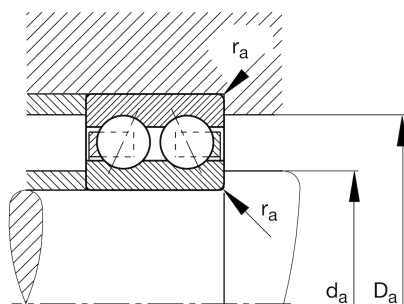
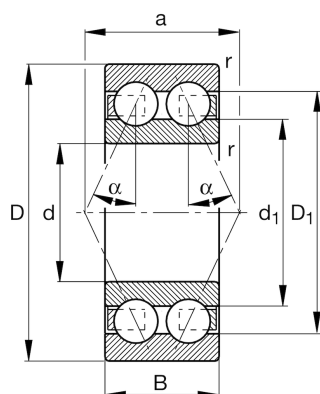
Schaeffler ID:
0631849230000

Angular contact ball bearing 33..-BD-XL-TVH, double row, X-life, plastic cage

★ Preferred product

X-life

Technical information



Main Dimensions & Performance Data

d	50 mm	Bore diameter
D	110 mm	Outside diameter
B	44,4 mm	Width
C _r	93.000 N	Basic dynamic load rating, radial
C _{0r}	70.000 N	Basic static load rating, radial
C _{ur}	4.850 N	Fatigue load limit, radial
n _G	6.500 1/min	Limiting speed
n _{gr}	6.300 1/min	Reference speed
	1,75 kg	Weight

Dimensions

r _{min}	2 mm	Minimum chamfer dimension
D ₁	93,3 mm	Shoulder diameter outer ring
d ₁	71,5 mm	Shoulder diameter inner ring
a	64,2 mm	Distance between the apexes of the pressure cones
α	30 °	Contact angle

Mounting dimensions

d _{a min}	61 mm	Minimum diameter shaft shoulder
D _{a max}	99 mm	Maximum diameter of housing shoulder
r _{a max}	2 mm	Maximum fillet radius

Temperature range

T _{min}	-30 °C	Operating temperature min.
T _{max}	120 °C	Operating temperature max.