

FAG

## 3302-BD-XL-TVH

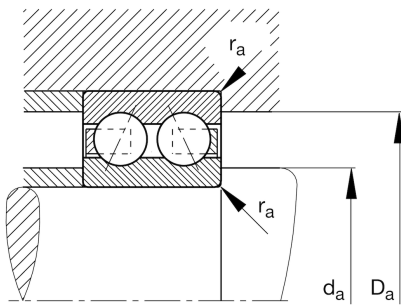
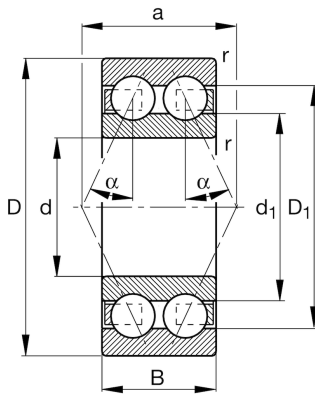
Angular contact ball bearing

Schaeffler ID:  
0641312970000

Angular contact ball bearing 33..-BD-XL-TVH, double row, X-life, plastic cage

X-life

## Technical information



## Main Dimensions &amp; Performance Data

d	15 mm	Bore diameter
D	42 mm	Outside diameter
B	19 mm	Width
$C_r$	17.000 N	Basic dynamic load rating, radial
$C_{0r}$	10.400 N	Basic static load rating, radial
$C_{ur}$	720 N	Fatigue load limit, radial
$n_G$	18.400 1/min	Limiting speed
$n_{gr}$	12.100 1/min	Reference speed
	0,124 kg	{Weight}

## Mounting dimensions

$d_{a \min}$	20,6 mm	Minimum diameter shaft shoulder
$D_{a \max}$	36,4 mm	Maximum diameter of housing shoulder
$r_{a \max}$	1 mm	Maximum fillet radius

## Dimensions

$r_{\min}$	1 mm	Minimum chamfer dimension
$D_1$	35,7 mm	Shoulder diameter outer ring
$d_1$	27,2 mm	Shoulder diameter inner ring
a	24,8 mm	Distance between the apexes of the pressure cones
$\alpha$	30 °	Contact angle

## Temperature range

$T_{\min}$	-30 °C	Operating temperature min.
$T_{\max}$	120 °C	Operating temperature max.