

FAG

## ★ 3302-BD-XL-2HRS-TVH

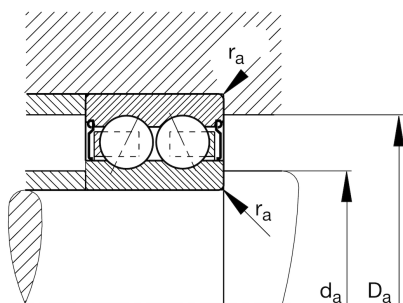
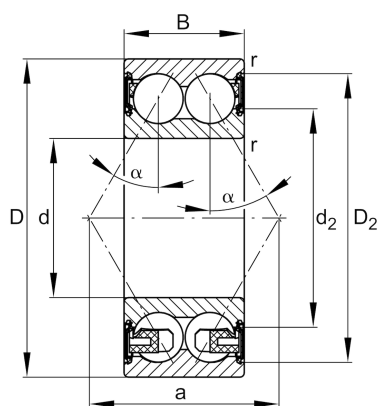
Angular contact ball bearing

Schaeffler ID:  
0639632050000Angular contact ball bearing 33..-BD-  
XL-2HRS-TVH, double row, X-life, seals,  
plastic cage

★ Preferred product

X-life

## Technical information



## Temperature range

$T_{min}$	-20 °C	Operating temperature min.
$T_{max}$	110 °C	Operating temperature max.
	0,123 kg	Weight

## Main Dimensions &amp; Performance Data

d	15 mm	Bore diameter
D	42 mm	Outside diameter
B	19 mm	Width
$C_r$	17.000 N	Basic dynamic load rating, radial
$C_{0r}$	10.400 N	Basic static load rating, radial
$C_{ur}$	720 N	Fatigue load limit, radial
$n_G$	13.800 1/min	Limiting speed

## Dimensions

$r_{min}$	1 mm	Minimum chamfer dimension
$D_2$	37,9 mm	Caliber diameter outer ring
$d_2$	25,8 mm	Caliber diameter inner ring
a	24,8 mm	Distance between the apexes of the pressure cones
$\alpha$	30 °	Contact angle

## Mounting dimensions

$d_{a min}$	20,6 mm	Minimum diameter shaft shoulder
$D_{a max}$	36,4 mm	Maximum diameter of housing shoulder
$r_{a max}$	1 mm	Maximum fillet radius