

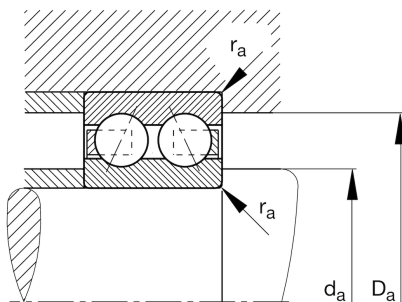
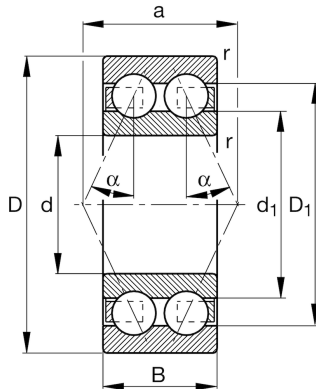
FAG

3216-B-TVH

Angular contact ball bearing

Schaeffler ID:
0167124390000Angular contact ball bearing 32..-B-TVH,
double row, plastic cage

Technical information

**Main Dimensions & Performance Data**

d	80 mm	Bore diameter
D	140 mm	Outside diameter
B	44,4 mm	Width
C_r	99.000 N	Basic dynamic load rating, radial
C_{0r}	102.000 N	Basic static load rating, radial
C_{ur}	5.100 N	Fatigue load limit, radial
n_G	3.650 1/min	Limiting speed
n_{gr}	5.100 1/min	Reference speed
	2,32 kg	{Weight}

Mounting dimensions

$d_{a \min}$	91 mm	Minimum diameter shaft shoulder
$D_{a \max}$	129 mm	Maximum diameter of housing shoulder
$r_{a \max}$	2 mm	Maximum fillet radius

Dimensions

r_{\min}	2 mm	Minimum chamfer dimension
D_1	120,3 mm	Shoulder diameter outer ring
d_1	98,8 mm	Shoulder diameter inner ring
a	69,1 mm	Distance between the apexes of the pressure cones
α	25 °	Contact angle

Temperature range

T_{\min}	-20 °C	Operating temperature min.
T_{\max}	120 °C	Operating temperature max.