

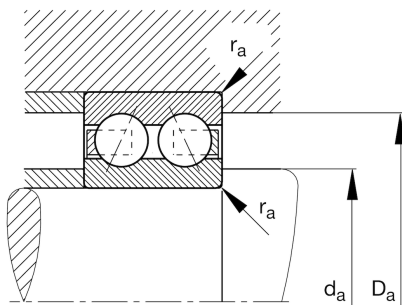
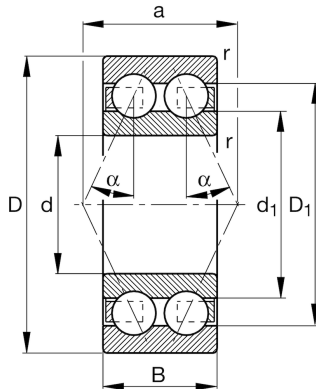
FAG

3215-B-TVH

Angular contact ball bearing

Schaeffler ID:
0167124120000Angular contact ball bearing 32..-B-TVH,
double row, plastic cage

Technical information

**Main Dimensions & Performance Data**

d	75 mm	Bore diameter
D	130 mm	Outside diameter
B	41,3 mm	Width
C_r	88.000 N	Basic dynamic load rating, radial
C_{0r}	85.000 N	Basic static load rating, radial
C_{ur}	4.350 N	Fatigue load limit, radial
n_G	3.900 1/min	Limiting speed
n_{gr}	5.300 1/min	Reference speed
	1,8 kg	{Weight}

Mounting dimensions

$d_{a \min}$	84 mm	Minimum diameter shaft shoulder
$D_{a \max}$	121 mm	Maximum diameter of housing shoulder
$r_{a \max}$	1,5 mm	Maximum fillet radius

Dimensions

r_{\min}	1,5 mm	Minimum chamfer dimension
D_1	112,6 mm	Shoulder diameter outer ring
d_1	92,4 mm	Shoulder diameter inner ring
a	65,2 mm	Distance between the apexes of the pressure cones
α	25 °	Contact angle

Temperature range

T_{\min}	-20 °C	Operating temperature min.
T_{\max}	120 °C	Operating temperature max.