

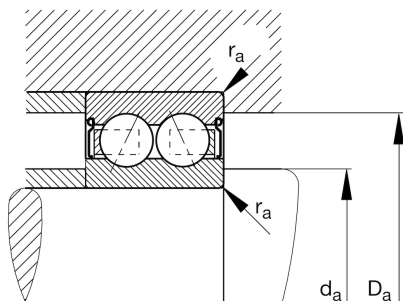
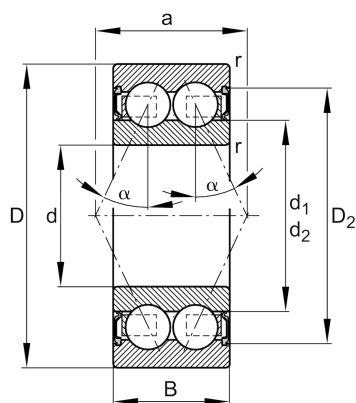
**FAG****3214-B-2RSR-TVH**

Angular contact ball bearing

Schaeffler ID:  
0384742390000

Angular contact ball bearing 32..-B-2RSR-TVH, double row, seals, plastic cage

## Technical information

**Main Dimensions & Performance Data**

|          |             |                                   |
|----------|-------------|-----------------------------------|
| d        | 70 mm       | Bore diameter                     |
| D        | 125 mm      | Outside diameter                  |
| B        | 39,7 mm     | Width                             |
| $C_r$    | 82.000 N    | Basic dynamic load rating, radial |
| $C_{0r}$ | 79.000 N    | Basic static load rating, radial  |
| $C_{ur}$ | 4.100 N     | Fatigue load limit, radial        |
| $n_G$    | 3.100 1/min | Limiting speed                    |
|          | 1,68 kg     | {Weight}                          |

**Mounting dimensions**

|              |        |                                      |
|--------------|--------|--------------------------------------|
| $d_{a \min}$ | 79 mm  | Minimum diameter shaft shoulder      |
| $D_{a \max}$ | 116 mm | Maximum diameter of housing shoulder |
| $r_{a \max}$ | 1,5 mm | Maximum fillet radius                |

**Dimensions**

|            |          |   |
|------------|----------|---|
| $r_{\min}$ | 1,5 mm   | Minimum chamfer dimension                         |
| $D_2$      | 110,7 mm | Caliber diameter outer ring                       |
| $d_1$      | 86,8 mm  | Shoulder diameter inner ring                      |
| a          | 61,6 mm  | Distance between the apexes of the pressure cones |
| $\alpha$   | 25 °     | Contact angle                                     |

**Temperature range**

|            |        |                            |
|------------|--------|----------------------------|
| $T_{\min}$ | -20 °C | Operating temperature min. |
| $T_{\max}$ | 100 °C | Operating temperature max. |