



FAG

## ★ 3209-BD-XL-2Z-TVH

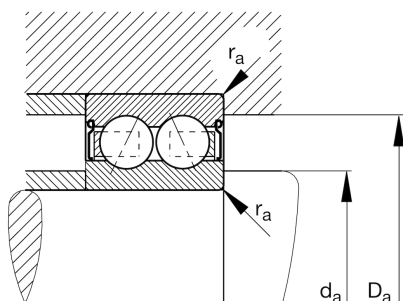
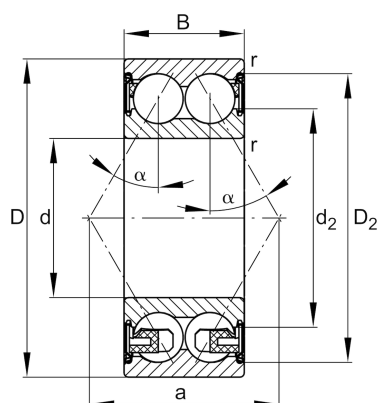
Angular contact ball bearing

Schaeffler ID:  
0627702680000Angular contact ball bearing 32..-BD-  
XL-2Z-TVH, double row, X-life, shields,  
plastic cage

★ Preferred product

X-life

## Technical information



## Main Dimensions &amp; Performance Data

d	45 mm	Bore diameter
D	85 mm	Outside diameter
B	30,2 mm	Width
$C_r$	50.000 N	Basic dynamic load rating, radial
$C_{0r}$	39.000 N	Basic static load rating, radial
$C_{ur}$	2.700 N	Fatigue load limit, radial
$n_G$	6.300 1/min	Limiting speed
$n_{gr}$	8.400 1/min	Reference speed
	0,622 kg	Weight

## Dimensions

$r_{min}$	1,1 mm	Minimum chamfer dimension
$D_2$	78,1 mm	Caliber diameter outer ring
$d_2$	57,7 mm	Caliber diameter inner ring
a	50,3 mm	Distance between the apexes of the pressure cones
$\alpha$	30 °	Contact angle

## Mounting dimensions

$d_{a min}$	52 mm	Minimum diameter shaft shoulder
$D_{a max}$	78 mm	Maximum diameter of housing shoulder
$r_{a max}$	1 mm	Maximum fillet radius

## Temperature range

$T_{min}$	-20 °C	Operating temperature min.
$T_{max}$	120 °C	Operating temperature max.