

FAG

★ 3208-BD-XL-2HRS-TVH

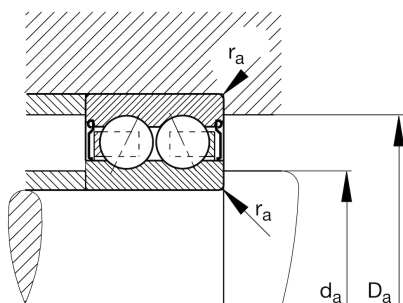
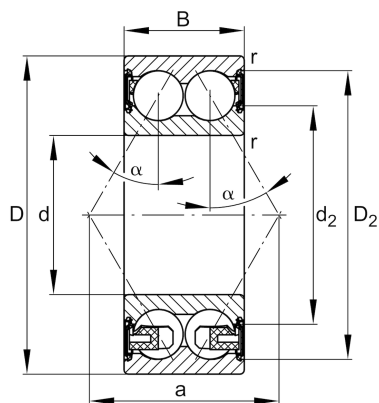
Angular contact ball bearing

Schaeffler ID:
0638556070000Angular contact ball bearing 32..-BD-
XL-2HRS-TVH, double row, X-life, seals,
plastic cage

★ Preferred product

X-life

Technical information



Main Dimensions & Performance Data

| | | |
|----------|-------------|-----------------------------------|
| d | 40 mm | Bore diameter |
| D | 80 mm | Outside diameter |
| B | 30,2 mm | Width |
| C_r | 51.000 N | Basic dynamic load rating, radial |
| C_{0r} | 38.000 N | Basic static load rating, radial |
| C_{ur} | 2.650 N | Fatigue load limit, radial |
| n_G | 6.700 1/min | Limiting speed |
| | 0,592 kg | Weight |

Dimensions

| | | |
|-----------|---------|---|
| r_{min} | 1,1 mm | Minimum chamfer dimension |
| D_2 | 72,6 mm | Caliber diameter outer ring |
| d_2 | 52,8 mm | Caliber diameter inner ring |
| a | 47,4 mm | Distance between the apexes of the pressure cones |
| α | 30 ° | Contact angle |

Mounting dimensions

| | | |
|-------------|-------|--------------------------------------|
| $d_{a min}$ | 47 mm | Minimum diameter shaft shoulder |
| $D_{a max}$ | 73 mm | Maximum diameter of housing shoulder |
| $r_{a max}$ | 1 mm | Maximum fillet radius |

Temperature range

| | | |
|-----------|--------|----------------------------|
| T_{min} | -20 °C | Operating temperature min. |
| T_{max} | 110 °C | Operating temperature max. |