



FAG

## ★ 3206-BD-XL-TVH

Angular contact ball bearing

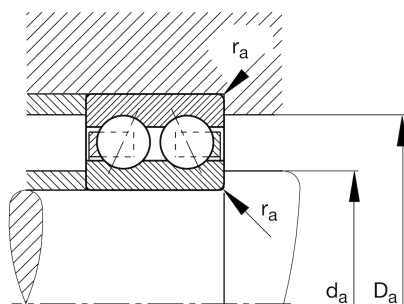
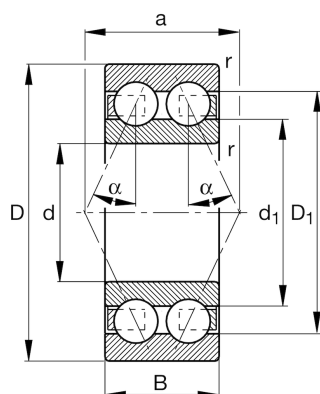
Schaeffler ID:  
0606414950000

Angular contact ball bearing 32..-BD-XL-TVH, double row, X-life, plastic cage

★ Preferred product

X-life

## Technical information



## Main Dimensions &amp; Performance Data

d	30 mm	Bore diameter
D	62 mm	Outside diameter
B	23,8 mm	Width
C <sub>r</sub>	31.000 N	Basic dynamic load rating, radial
C <sub>0r</sub>	22.200 N	Basic static load rating, radial
C <sub>ur</sub>	1.540 N	Fatigue load limit, radial
n <sub>G</sub>	11.900 1/min	Limiting speed
n <sub>gr</sub>	11.100 1/min	Reference speed
	0,278 kg	Weight

## Dimensions

r <sub>min</sub>	1 mm	Minimum chamfer dimension
D <sub>1</sub>	53,3 mm	Shoulder diameter outer ring
d <sub>1</sub>	42,2 mm	Shoulder diameter inner ring
a	36,4 mm	Distance between the apexes of the pressure cones
α	30 °	Contact angle

## Mounting dimensions

d <sub>a min</sub>	35,6 mm	Minimum diameter shaft shoulder
D <sub>a max</sub>	56,4 mm	Maximum diameter of housing shoulder
r <sub>a max</sub>	1 mm	Maximum fillet radius

## Temperature range

T <sub>min</sub>	-30 °C	Operating temperature min.
T <sub>max</sub>	120 °C	Operating temperature max.