

FAG

**3204-BD-XL-TVH**

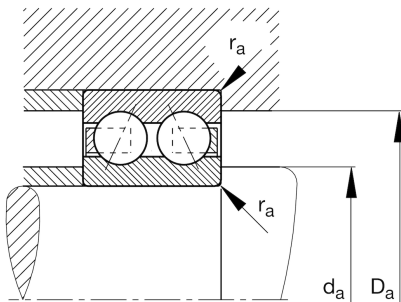
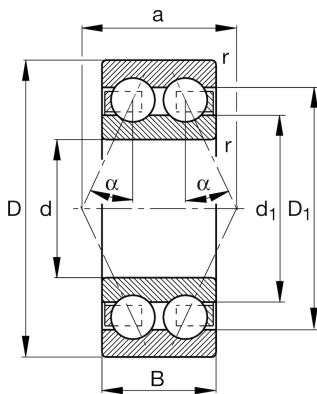
Angular contact ball bearing

Schaeffler ID:  
0615192600000

Angular contact ball bearing 32..-BD-XL-TVH, double row, X-life, plastic cage

X-life

## Technical information

**Main Dimensions & Performance Data**

|          |              |                                   |
|----------|--------------|-----------------------------------|
| d        | 20 mm        | Bore diameter                     |
| D        | 47 mm        | Outside diameter                  |
| B        | 20,6 mm      | Width                             |
| $C_r$    | 20.600 N     | Basic dynamic load rating, radial |
| $C_{0r}$ | 12.900 N     | Basic static load rating, radial  |
| $C_{ur}$ | 900 N        | Fatigue load limit, radial        |
| $n_G$    | 16.100 1/min | Limiting speed                    |
| $n_{gr}$ | 14.700 1/min | Reference speed                   |
|          | 0,149 kg     | Weight                            |

**Dimensions**

|           |         |   |
|-----------|---------|---|
| $r_{min}$ | 1 mm    | Minimum chamfer dimension                         |
| $D_1$     | 40,1 mm | Shoulder diameter outer ring                      |
| $d_1$     | 30,8 mm | Shoulder diameter inner ring                      |
| a         | 27,9 mm | Distance between the apexes of the pressure cones |
| $\alpha$  | 30 °    | Contact angle                                     |

**Mounting dimensions**

|             |         |                                      |
|-------------|---------|--------------------------------------|
| $d_{a min}$ | 25,6 mm | Minimum diameter shaft shoulder      |
| $D_{a max}$ | 41,4 mm | Maximum diameter of housing shoulder |
| $r_{a max}$ | 1 mm    | Maximum fillet radius                |

**Temperature range**

|           |        |                            |
|-----------|--------|----------------------------|
| $T_{min}$ | -30 °C | Operating temperature min. |
| $T_{max}$ | 120 °C | Operating temperature max. |