



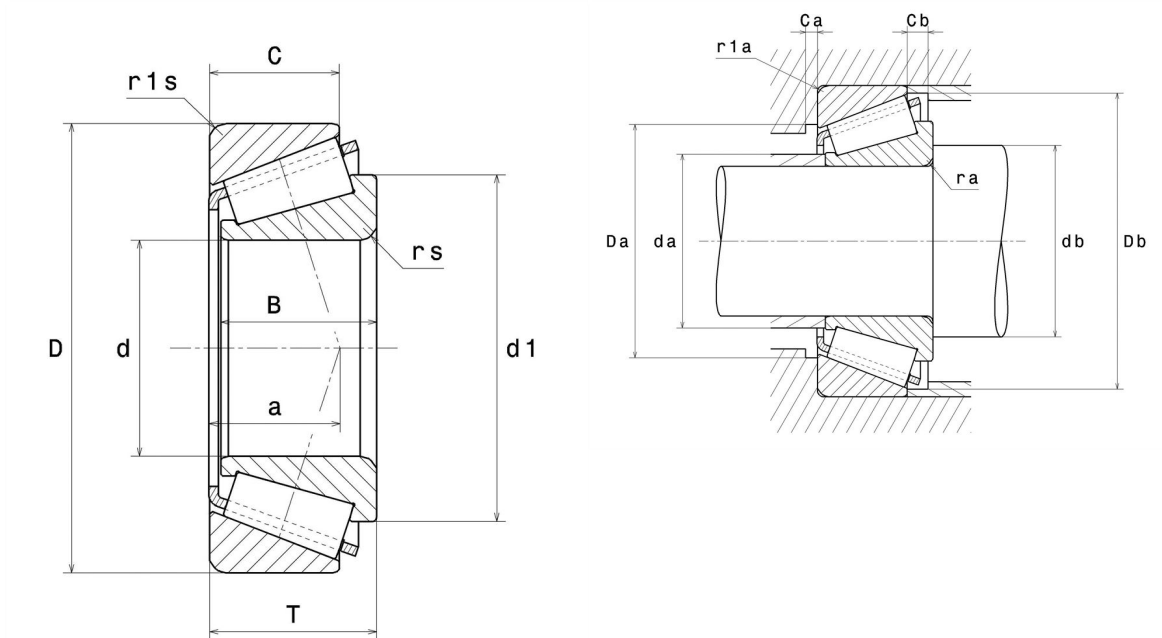
Technical data

32028XU

Single row tapered roller bearings

Tapered roller bearing, pressed steel cage

Visual(s)



Product definition

d	140 mm
D	210 mm
B	45 mm
C	34 mm
T	45 mm
d1	176 mm
a	46 mm
rs min	2.5 mm
r1s min	2 mm
e	0.46
Y2	1.31
Y0	0.72
Mass	5.28 kg
ISO 355 reference	T4DC140
Brand	NTN

Product performance

Dynamic load, C	330 kN
Rating life coefficient, A2	1
Static load, C0	580 kN
Fatigue limit load, Cu	59.8 kN
Nlim (oil)	2,100 Tr/min
Nlim (grease)	1,600 Tr/min
Min operating temperature, Tmin	-40 °C
Max operating temperature, Tmax	120 °C
Characteristic cage frequency, FTF	0.46 Hz
Characteristic rolling element frequency, BSF	10.46 Hz
Characteristic outer ring frequency, BPF0	13.64 Hz
Characteristic inner ring frequency, BPFI	16.36 Hz

Abutment dimensions

da max	153 mm
db min	152 mm
Da min	187 mm
Da max	200 mm
Db min	202 mm
Ca min	8 mm
Cb min	11 mm
ra max	2 mm
r1a max	2 mm

Calculation factors

Equivalent dynamic radial load

$$P = X.F_r + Y.F_a$$

$F_a / F_r \leq e$		$F_a / F_r > e$	
X	Y	X	Y
1	0	0.4	Y2

Equivalent static radial load

$$P_0 = X_0.F_r + Y_0.F_a$$

X_0	Y_0
0.5	Y0

If $P_0 < F_r$, then use $P_0 = F_r$

The values for e, Y2 and Y0 are shown in the above table