



FAG

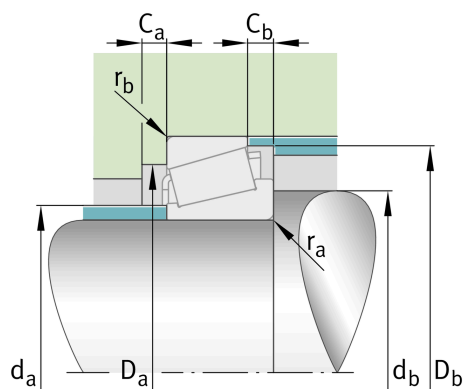
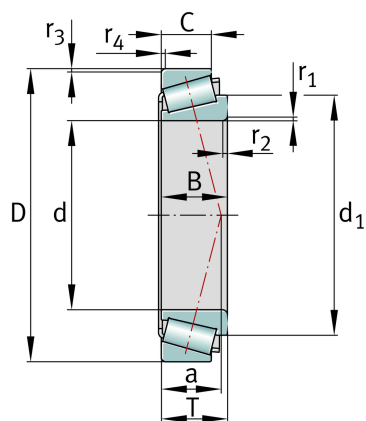
32022-X-XL

Tapered roller bearing

Schaeffler ID:
0781727720000Tapered roller bearings 320, main
dimensions to DIN ISO 355 / DIN 720,
separable, adjusted or in pairs

X-life

Technical information



Dimensions

$r_{1,2 \text{ min}}$	2,5 mm	Minimum chamfer dimension of inner ring back face
$r_{3,4 \text{ min}}$	2 mm	Minimum chamfer dimension of outer ring back face
a	37 mm	Distance between the apexes of the pressure cones
d_1	141 mm	Guidance rib diameter of inner ring
	3,063 kg	Weight

Main Dimensions & Performance Data

d	110 mm	Bore diameter
D	170 mm	Outside diameter
B	38 mm	Width, inner ring
C	29 mm	Width, outer ring
T	38 mm	Width, total
C_r	285.000 N	Basic dynamic load rating, radial
C_{0r}	395.000 N	Basic static load rating, radial
C_{ur}	60.000 N	Fatigue load limit, radial
n_G	4.750 1/min	Limiting speed
n_{gr}	2.650 1/min	Thermal speed rating

Mounting dimensions

$d_{a \max}$	122 mm	Maximum diameter of shaft shoulder
$d_{b \min}$	120 mm	Minimum diameter of shaft shoulder
$D_{a \min}$	152 mm	Minimum diameter of housing shoulder
$D_{a \max}$	160 mm	Maximum diameter of housing shoulder
$D_{b \min}$	163 mm	Minimum diameter of housing shoulder
$C_{a \min}$	7 mm	Minimum axial space
$C_{b \min}$	9 mm	Minimum axial space
$r_{a \max}$	2,5 mm	Maximum fillet radius of shaft
$r_{b \max}$	2 mm	Maximum fillet radius of housing

Calculation factors

e	0,43	Limiting value of F_a/F_r for the applicability of diff. Values of factors X and Y
Y	1,39	Dynamic axial load factor
Y_0	0,77	Static axial load factor

Additional information

T4DC110	Comparative designation to ISO 10317 and ISO 355
---------	--

Temperature range

T_{\min}	-30 °C	Operating temperature min.
T_{\max}	120 °C	Operating temperature max.