

FAG

## ★ 3201-BB-2RSR-TVH

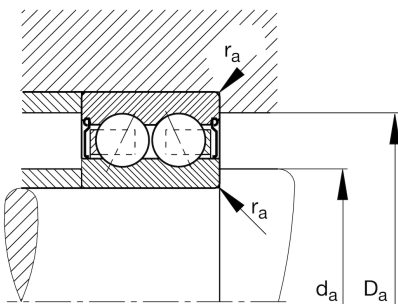
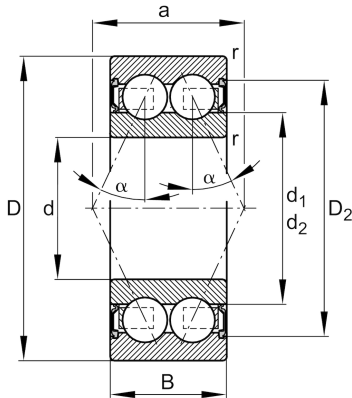
Angular contact ball bearing

Schaeffler ID:  
0214568790000

Angular contact ball bearing 32..-B-2RSR-TVH, double row, seals, plastic cage

★ Preferred product

## Technical information



## Temperature range

$T_{\min}$	-20 °C	Operating temperature min.
$T_{\max}$	110 °C	Operating temperature max.
	0,057 kg	Weight

## Main Dimensions &amp; Performance Data

d	12 mm	Bore diameter
D	32 mm	Outside diameter
B	15,9 mm	Width
$C_r$	10.500 N	Basic dynamic load rating, radial
$C_{0r}$	5.800 N	Basic static load rating, radial
$C_{ur}$	300 N	Fatigue load limit, radial
$n_G$	15.000 1/min	Limiting speed

## Dimensions

$r_{\min}$	0,6 mm	Minimum chamfer dimension
$D_2$	27,8 mm	Caliber diameter outer ring
$d_2$	17,2 mm	Caliber diameter inner ring
a	16,53 mm	Distance between the apexes of the pressure cones
$\alpha$	25 °	Contact angle

## Mounting dimensions

$d_{a\min}$	16,2 mm	Minimum diameter shaft shoulder
$D_{a\max}$	27,8 mm	Maximum diameter of housing shoulder
$r_{a\max}$	0,6 mm	Maximum fillet radius