

FAG

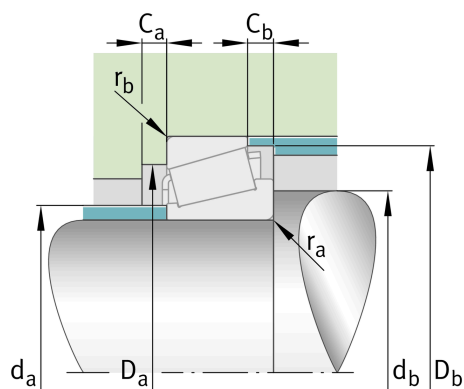
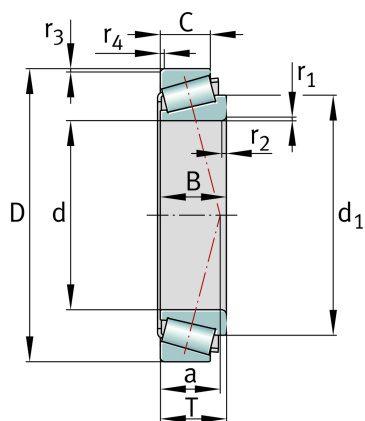
32005-X-XL

Tapered roller bearing

Schaeffler ID:
0855851900000Tapered roller bearings 320, main
dimensions to DIN ISO 355 / DIN 720,
separable, adjusted or in pairs

X-life

Technical information

**Dimensions**

$r_{1,2 \text{ min}}$	0,6 mm	Minimum chamfer dimension of inner ring back face
$r_{3,4 \text{ min}}$	0,6 mm	Minimum chamfer dimension of outer ring back face
a	12 mm	Distance between the apexes of the pressure cones
d_1	38,5 mm	Guidance rib diameter of inner ring
	115 g	Weight

Main Dimensions & Performance Data

d	25 mm	Bore diameter
D	47 mm	Outside diameter
B	15 mm	Width, inner ring
C	11,5 mm	Width, outer ring
T	15 mm	Width, total
C_r	31.500 N	Basic dynamic load rating, radial
C_{0r}	34.000 N	Basic static load rating, radial
C_{ur}	4.800 N	Fatigue load limit, radial
n_G	18.900 1/min	Limiting speed
n_{gr}	9.000 1/min	Thermal speed rating

Mounting dimensions

$d_{a \max}$	30 mm	Maximum diameter of shaft shoulder
$d_{b \min}$	30 mm	Minimum diameter of shaft shoulder
$D_{a \min}$	40 mm	Minimum diameter of housing shoulder
$D_{a \max}$	42 mm	Maximum diameter of housing shoulder
$D_{b \min}$	44 mm	Minimum diameter of housing shoulder
$C_{a \min}$	3 mm	Minimum axial space
$C_{b \min}$	3,5 mm	Minimum axial space
$r_{a \max}$	0,6 mm	Maximum fillet radius of shaft
$r_{b \max}$	0,6 mm	Maximum fillet radius of housing

Calculation factors

e	0,43	Limiting value of F_a/F_r for the applicability of diff. Values of factors X and Y
Y	1,39	Dynamic axial load factor
Y_0	0,77	Static axial load factor

Additional information

T4CC025	Comparative designation to ISO 10317 and ISO 355
---------	--

Temperature range

T_{\min}	-30 °C	Operating temperature min.
T_{\max}	120 °C	Operating temperature max.